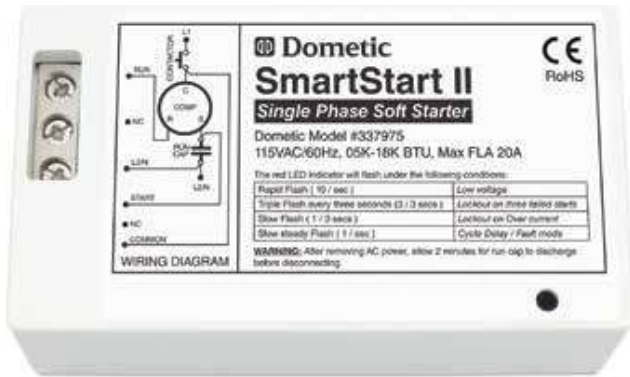


Reduce Startup Amps by 65%

SmartStart™ II Soft Starter

Eliminate Boat Air Conditioning Start-Up Spikes



The SmartStart™ II is a unique device that smooths out startup power demand of the boat air conditioner's compressor, reducing amp requirements by up to 65%. The technology uses dynamic feedback control to reduce the inrush of current by starting the compressor motor slowly, thereby eliminating current surges that could affect the operation of an overstraining power source. No other soft starter in the industry provides better performance.

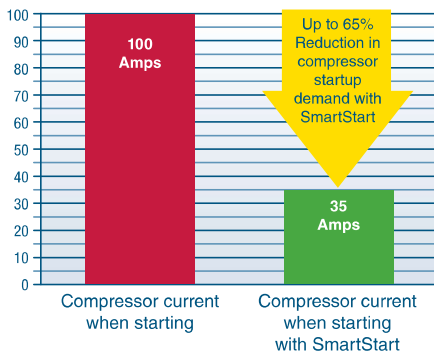
In some situations, this gentler method of handling the power surge can mean the difference between keeping the generator you have or investing thousands of dollars in a larger one. For boats without a generator, SmartStart II may allow the option of powering an air conditioning system from an inverter, and when running on dock power, it may resolve issues where the power source or connection may be weak.

Not only does the SmartStart II ease strain on the power source, it's also less stressful for the compressor itself. Additionally, it provides valuable protection by shutting down the compressor if the power source or the connection to the compressor is briefly interrupted (it will attempt a soft start after three minutes).

New to the SmartStart II is a red LED indicator that flashes codes for fault conditions that can cause SmartStart II to shut down the compressor in the event of low voltage, over current, intermittent power loss, incorrect wiring at installation, and other faults. SmartStart II also makes wiring easier with a new type of termination block.

All this power comes in a surprisingly small package. At only 5 x 3 x 2 in. (127 x 76 x 51 mm), the SmartStart II takes up little space and weighs only 15 oz. (0.43 kg.). It is wired directly into the air conditioning system's electrical box.

SmartStart II reduces compressor startup power demand by up to 65%.



Key Benefits

- Reduces strain on the power source
- Reduces brown-out effects at compressor start-up
- May enable an inverter to power the air conditioner
- May eliminate the need to upgrade the generator
- Fault-code LED provides troubleshooting assistance
- Easier wiring with new termination block
- Inexpensive, small, and lightweight

Product Testimonial

"The generator's control circuit would trip and stop the generator due to the inrush of the Emiko's heat pump. The SmartStart reduced that inrush of current so the generator would continue to run.

We started with an inrush of 77 amps and finished with an inrush of only 20 amps. [The SmartStart] is a great solution to our problem."

— Mr. John Poole, Poole Refrigeration Service, Alameda, CA, M/V Emiko (37 ft. Nordic Tug)

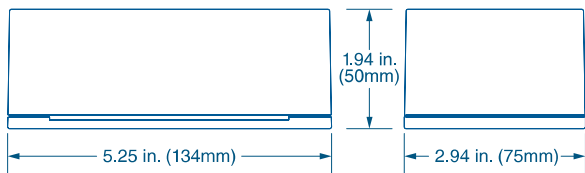


Specifications for SmartStart™ II Soft Starter

Model ⁽¹⁾	337975	337976	337977
Min. Volts/Max. Volts/Cycle	115 V/50 Hz/60 Hz	208 V/240 V/50 Hz/60 Hz	208 V/240 V/50 Hz/60 Hz
Supported Comp. Capacity (BTU/h)	5000/18000	12000/30000	36000/60000
Max. FLA (A)	20	16	32

¹ Typical start surge reduction as compared to compressor locked rotor amperage (LRA) is 65%

Dimensions

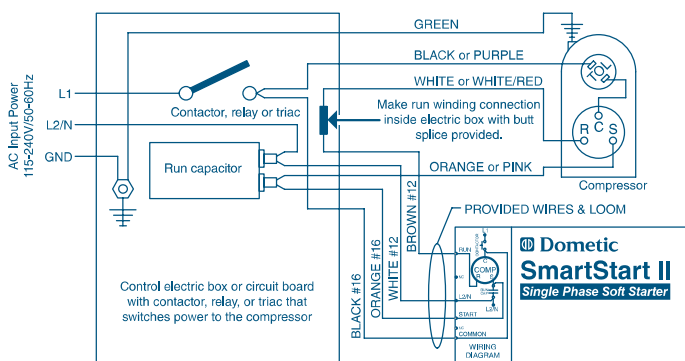


Optional SmartStart II Mounting Tray

Model #4220045 (pictured below)



Wiring Diagram



DOMETIC MARINE DIVISION
 2000 N. Andrews Ave. Ext. | Pompano Beach, FL 33069 USA | Tel. 954-973-2477 | Fax: 954-979-4414
 www.Dometic.com/Marine | MarineSales@DometicUSA.com

24/7 TECH SUPPORT FOR UNITED STATES & CANADA:
 8:00 AM to 5:00 PM Eastern Time: 800-542-2477
 After hours and weekends: 888-440-4494

INTERNATIONAL SALES & SERVICES
 Europe & the Middle East: Call +44(0)870-330-6101
 For all other areas visit our website to find your nearest distributor.

L-3486 Rev. 20150403 Specifications and availability subject to change without notice.

