

# Marine Fuel Filtration

## Gasoline Spin-on Series

Don't be caught in the water without one of these Racor gasoline spin-on series filters. These filters are designed for high performance applications, and with flow rates between 30 and 120 GPH your engine will perform better than ever with clean, water-free fuel. These filters are coated with a durable electrostatically applied powder coating for superior corrosion resistance. That's the quality you've learned to expect and get only from Racor.

This series features a high capacity Aquabloc®II filter element that removes sediment down to 10 micron and 99% of water. This spin-on filter design is simple to replace and the reusable clear plastic or metal contaminant collection bowls feature a self-venting drain, or metal plug, for removing unwanted muck and water.



120R-RAC-01



120R-RAC-02



320R-RAC-01



320R-RAC-02



490R-RAC-01



660R-RAC-01



660R-RAC-02



3120R-RAC-32



Parker Hannifin Corporation  
Racor Division, PO Box 3208  
Modesto, CA 95354 USA  
Phone: 800.344.3286  
Fax: 209.529.3278  
E-mail: [racor@parker.com](mailto:racor@parker.com)  
[www.parker.com/racor](http://www.parker.com/racor)



# Marine Fuel Filtration

## Gasoline Spin-on Series



Specifications	120R-RAC-01	120R-RAC-02	320R-RAC-01	320R-RAC-02
<b>Application:</b> Inboard Outboard	No Yes	Yes Yes	No Yes	Yes Yes
<b>Max. Flow Rate</b>	30 GPH (114 LPH)	30 GPH (114 LPH)	60 GPH (227 LPH)	60 GPH (227 LPH)
<b>Center Threads</b>	M18 x 1.5	M18 x 1.5	1"-14	1"-14
<b>Port Size</b>	¼"-18 NPTF	¼"-18 NPTF	¼"-18 NPTF	¼"-18 NPTF
<b>Number of Ports:</b> Inlets Outlets	2 2	2 2	2 1	2 1
<b>Height</b>	6.5 in. (16.5 cm)	6.0 in. (15.2 cm)	9.3 in. (23.6 cm)	9.0 in. (22.8 cm)
<b>Width</b>	3.2 in. (8.1 cm)	3.2 in. (8.1 cm)	4.0 in. (10.2 cm)	4.0 in. (10.2 cm)
<b>Depth</b>	3.2 in. (8.1 cm)	3.2 in. (8.1 cm)	4.0 in. (10.2cm)	4.0 in. (10.2cm)
<b>Weight (dry)</b>	1.1 lb (0.5 kg)	1.1 lb (0.5 kg)	2.0 lb (0.90 kg)	2.0 lb (0.90 kg)
<b>Clean Pressure Drop</b>	0.15 PSI (1.03 kPa)	0.15 PSI (1.03 kPa)	0.61 PSI (4.23 kPa)	0.61 PSI (4.23 kPa)
<b>Max. Pressure</b>	7 PSI (0.5 bar)	7 PSI (0.5 bar)	7 PSI (0.5 bar)	7 PSI (0.5 bar)
<b>Underbowl Clearance</b>	1.0 in. (2.5 cm)	1.0 in. (2.5 cm)	1.0 in. (2.5 cm)	1.0 in. (2.5 cm)
<b>H<sub>2</sub>O Removal Efficiency</b>	99%	99%	99%	99%
<b>Operating Temperature</b>	-40° to +255°F (-40° to +124°C)			

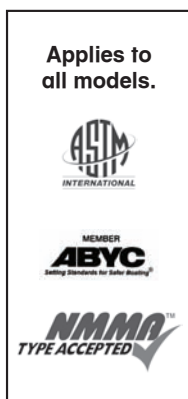
**RACOR**®

Technical Support:  
800.344.3286 ext. 7555  
racortech@parker.com

# Marine Fuel Filtration

## Gasoline Spin-on Series

2



Specifications	490R-RAC-01	660R-RAC-01	660R-RAC-02	3120R-RAC-32
<b>Application:</b> Inboard Outboard	No Yes	No Yes	Yes Yes	Yes Yes
<b>Max. Flow Rate</b>	90 GPH (340 LPH)	90 GPH (340 LPH)	90 GPH (340 LPH)	120 GPH (454 LPH)
<b>Center Threads</b>	1"-14	1"-14	1"-14	1"-14
<b>Port Size</b>	3/8"-18 NPTF	3/8"-18 NPTF	3/8"-18 NPTF	1/2"-14 NPTF
<b>Number of Ports:</b> Inlets Outlets	2 2	2 2	2 2	1 1
<b>Height</b>	9.9 in. (25.1 cm)	11.0 in. (27.9 cm)	10.5 in. (26.7 cm)	10.4 in. (26.4 cm)
<b>Width</b>	4.5 in. (11.4 cm)	4.2 in. (10.7 cm)	4.2 in. (10.7 cm)	4.0 in. (10.2 cm)
<b>Depth</b>	4.8 in. (12.1 cm)	4.5 in. (11.4 cm)	4.5 in. (11.4 cm)	5.0 in. (12.7 cm)
<b>Weight (dry)</b>	2.6 lb (1.2 kg)	3.0 lb (1.4 kg)	3.0 lb (1.4 kg)	2.0 lb (0.90 kg)
<b>Clean Pressure Drop</b>	0.95 PSI (6.5 kPa)	0.61 PSI (4.23 kPa)	0.61 PSI (4.23 kPa)	0.15 PSI (1.03 kPa)
<b>Max. Pressure</b>	7 PSI (0.5 bar)	7 PSI (0.5 bar)	7 PSI (0.5 bar)	7 PSI (0.5 bar)
<b>Underbowl Clearance</b>	1.0 in. (2.5 cm)	1.0 in. (2.5 cm)	1.0 in. (2.5 cm)	1.0 in. (2.5 cm)
<b>H<sub>2</sub>O Removal Efficiency</b>	99%	99%	99%	99%
<b>Operating Temperature</b>	-40° to +255°F (-40° to +124°C)			

# Marine Fuel Filtration

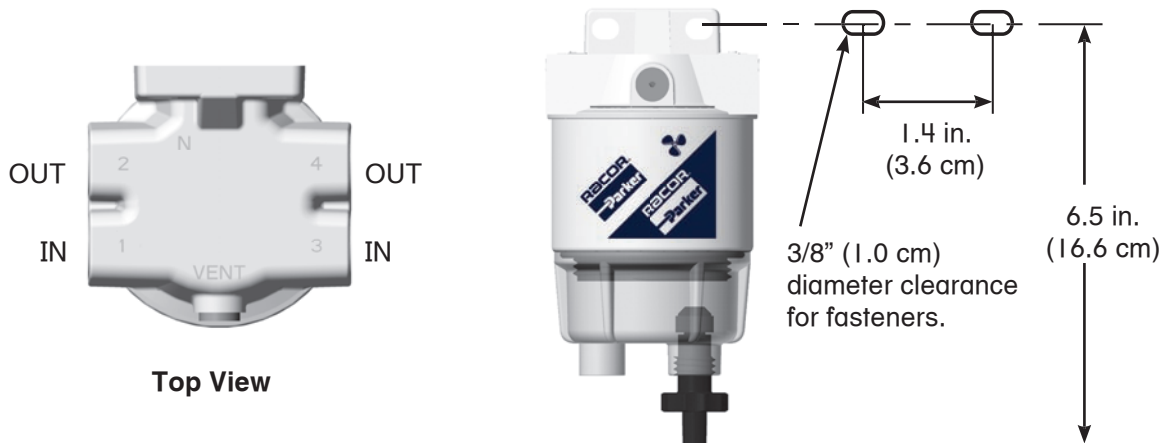
## Gasoline Spin-on Series

### How to Order

(The example below illustrates how a part number is constructed).

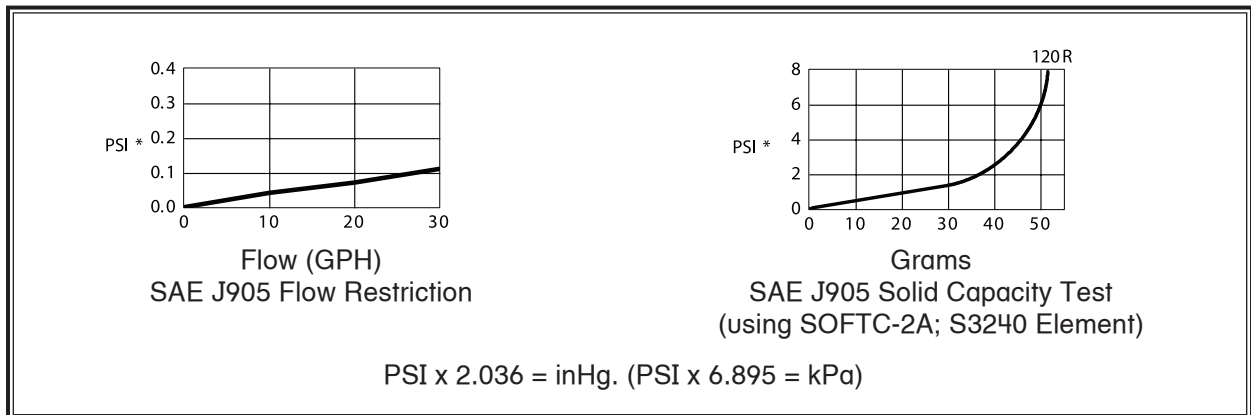
I20R-RAC	-01
Basic Model Number	-01 (for clear bowl) -02 (for metal bowl)

### Mounting Information



### Test Data

(Test results are from controlled laboratory testing. Field results may vary.)



**RACOR**

Technical Support:  
800.344.3286 ext. 7555  
racortech@parker.com



# Marine Fuel Filtration

## Gasoline Spin-on Series

2

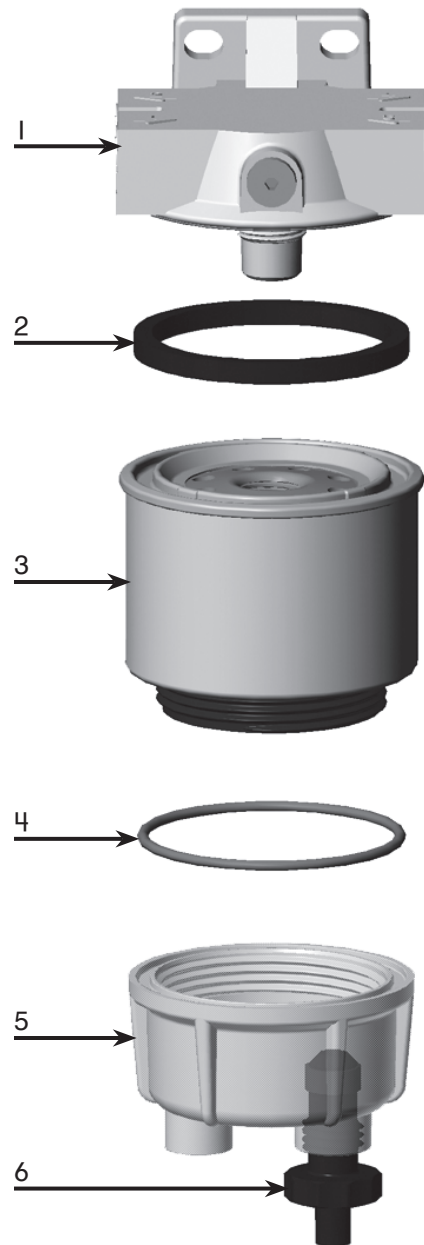
### Replacement Parts

#### I20R-RAC-01

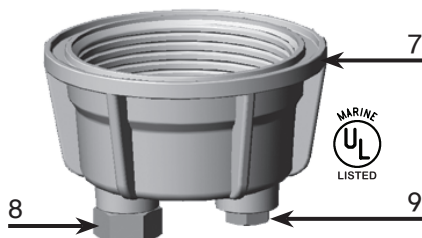
Part Number	Description
1. <b>RK10214-01</b> <b>I0224</b>	Head Kit (includes #2) 3/8" SAE Plug
2. <b>RK10503</b>	Gasket Kit
3. Replacement Element (includes #2) <b>S3240</b>	10 micron
4. <b>RK10012</b>	Bowl O-ring Kit
5. <b>RK10222</b>	Clear Bowl Kit (includes #'s 4 and 6)
6. <b>RK30476</b>	Self-venting Drain Kit
7. <b>I0553</b>	Metal Bowl (includes #'s 4, 6 and 7)
8. <b>20022</b>	Drain Port Plug
9. <b>01SP-2S</b>	Probe Port Plug

Additional Parts (not shown)

**I0223** Installation Instructions



### Metal Bowl Kit



# Marine Fuel Filtration

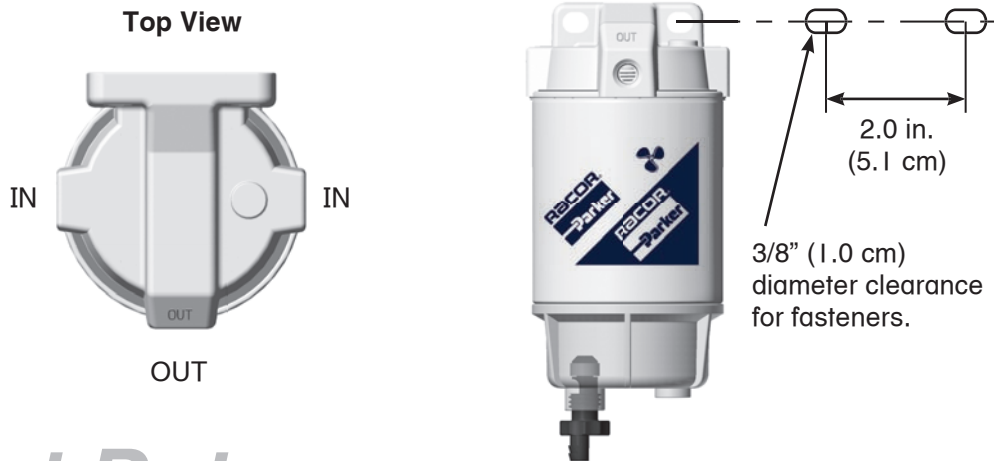
## Gasoline Spin-on Series

### How to Order

(The example below illustrates how a part number is constructed).

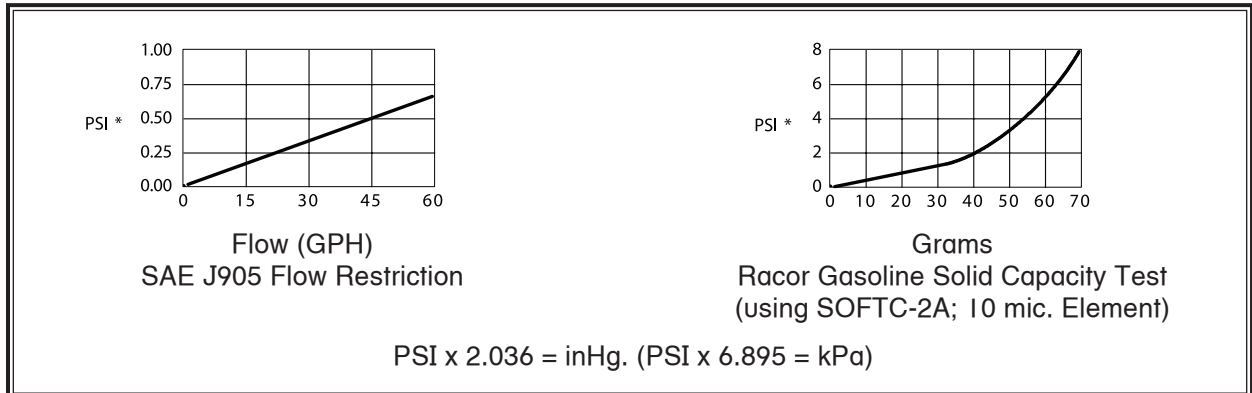
<b>320R-RAC</b>	<b>-01</b>
Basic Model Number	<b>-01</b> (for clear bowl) <b>-02</b> (for metal bowl)

### Mounting Information



### Test Data

(Test results are from controlled laboratory testing. Field results may vary.)



**RACOR**®

Technical Support:  
 800.344.3286 ext. 7555  
 racortech@parker.com



# Marine Fuel Filtration

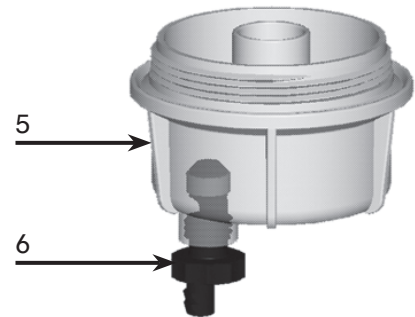
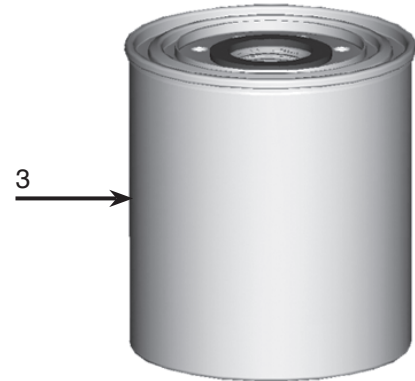
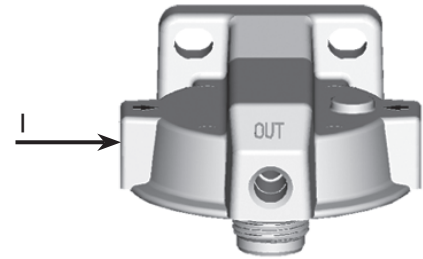
## Gasoline Spin-on Series

2

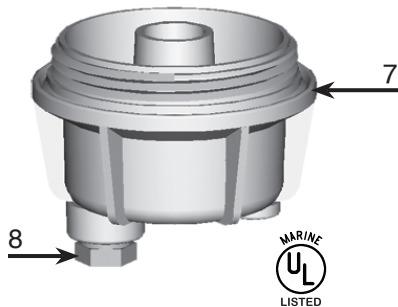
### Replacement Parts

#### 320R-RAC-01

	<u>Part Number</u>	<u>Description</u>
1.	<b>RK20180</b>	Mounting Head Kit
2.	<b>20707</b>	Gasket Kit
3.	Replacement Elements	
	<b>S3227</b>	10 Micron
	<b>S3228UL</b>	10 Micron (UL Marine)
4.	<b>RK22244</b>	Bowl O-ring Kit
5.	<b>RK30475</b>	Clear Bowl Kit
6.	<b>RK30476</b>	Self-venting Drain Kit
7.	<b>RK30473-02</b>	Metal Bowl Kit
8.	<b>918-N6</b>	Steel Port Plug
	Additional Parts (not shown)	
	<b>22237</b>	Installation Instructions



### Metal Bowl Kit



# Marine Fuel Filtration

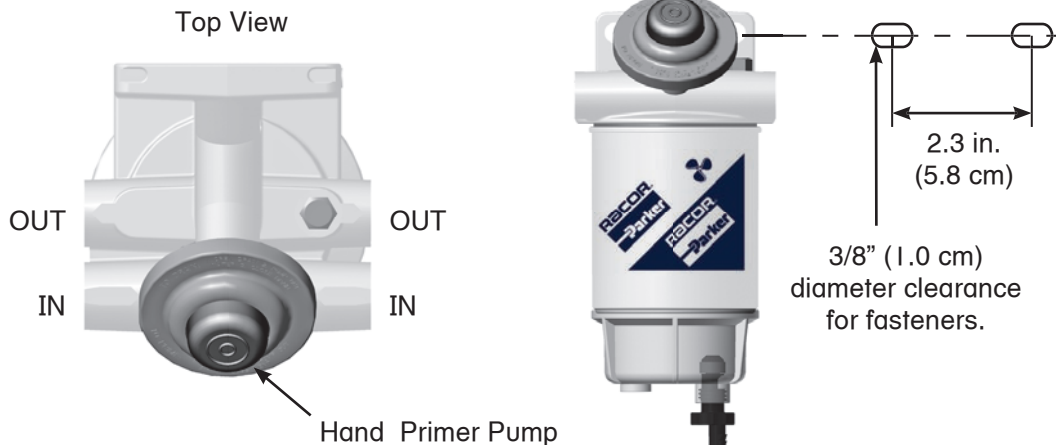
## Gasoline Spin-on Series

### How to Order

(The example below illustrates how a part number is constructed).

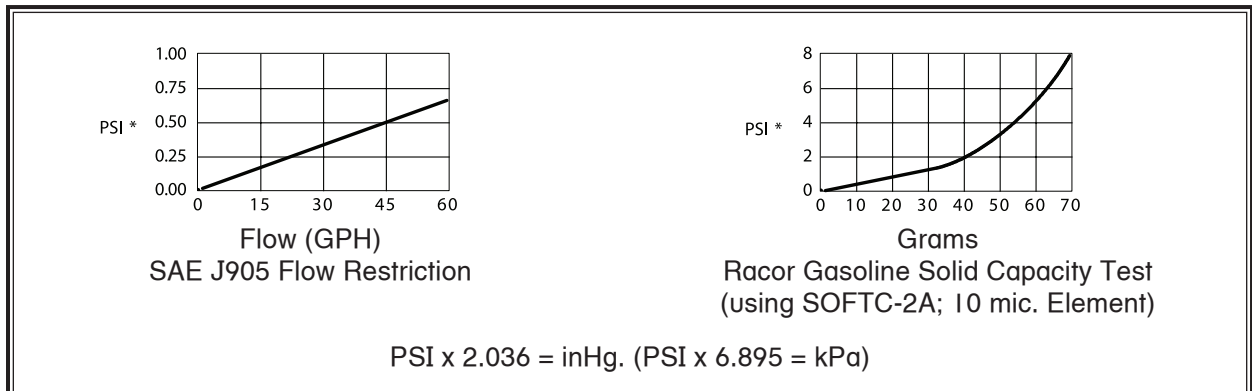
<b>490R-RAC</b>	<b>-01</b>
Basic Model Number	-01 (for clear bowl)

### Mounting Information



### Test Data

(Test results are from controlled laboratory testing. Field results may vary.)



**RACOR**®

Technical Support:  
800.344.3286 ext. 7555  
racortech@parker.com

290



# Marine Fuel Filtration

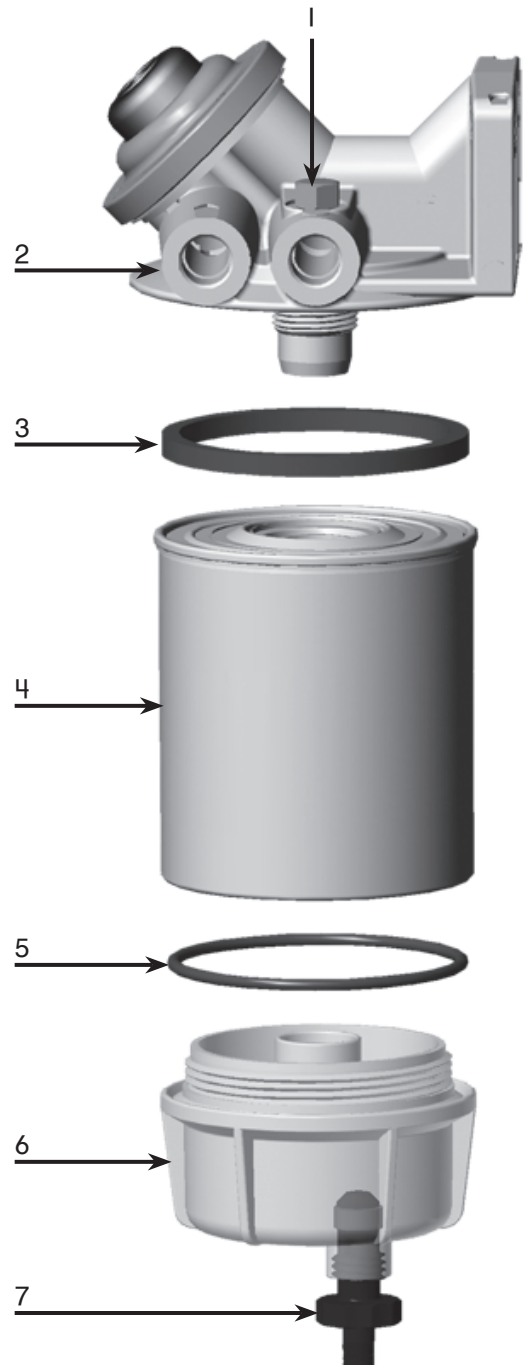
## Gasoline Spin-on Series

2

### Replacement Parts

#### 490R-RAC-01

Part No.	Description
1. <b>10110</b>	Vent Plug (3/8" SAE)
2. <b>RK24000</b>	Mounting Head Kit (3/8"-18 NPTF ports) (includes #'s 1-3)
3. <b>20505</b>	Gasket Kit
4. Replacement Elements (includes #'s 3-5) <b>S3227</b>	10 Micron
5. <b>30076</b>	Bowl O-ring Kit
6. <b>RK30475</b>	Clear Bowl Kit (includes #'s 5-7)
7. <b>RK30476</b>	Self-venting Drain Kit
Additional Parts (not shown) <b>I4345</b>	Installation Instructions



# Marine Fuel Filtration

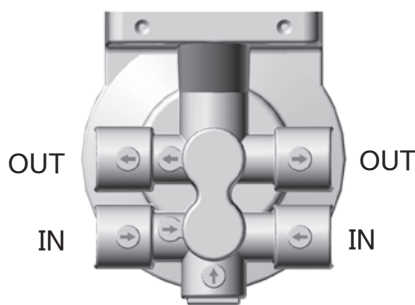
## Gasoline Spin-on Series

### How to Order

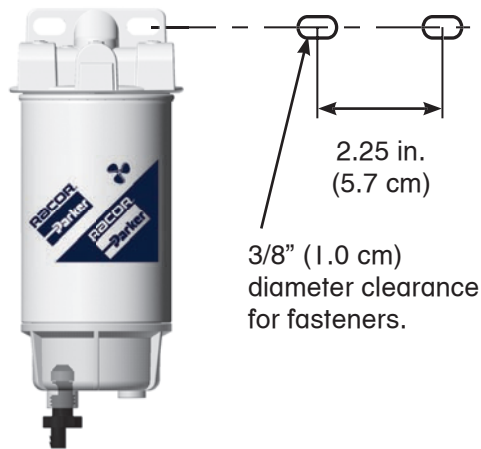
(The example below illustrates how a part number is constructed).

<b>660R-RAC</b>	<b>-01</b>
Basic Model Number	<b>-01</b> (For Clear Bowl) <b>-02</b> (For Metal Bowl)

### Mounting Information

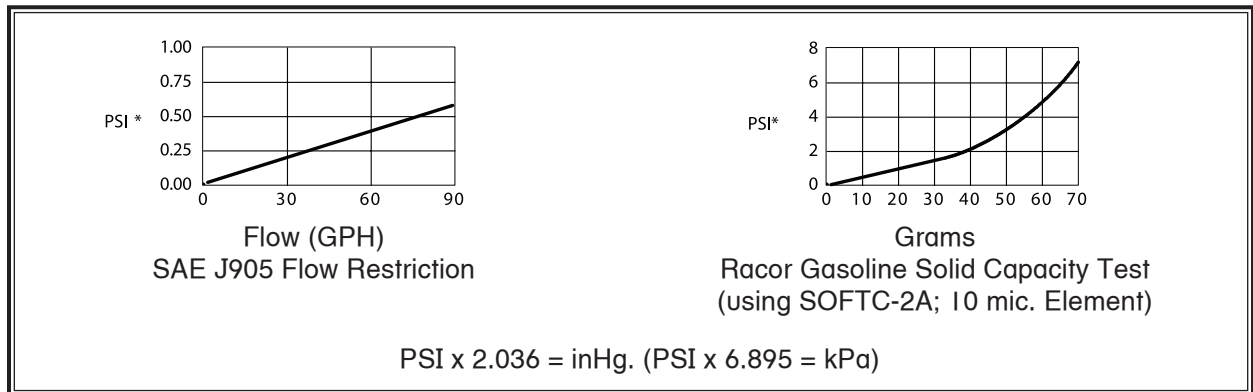


Top View



### Test Data

(Test results are from controlled laboratory testing. Field results may vary.)



**RACOR**

Technical Support:  
 800.344.3286 ext. 7555  
 racortech@parker.com



# Marine Fuel Filtration

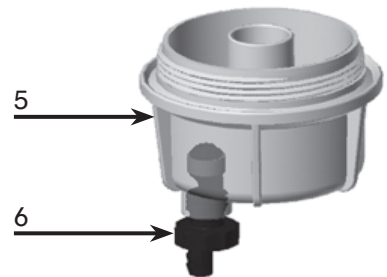
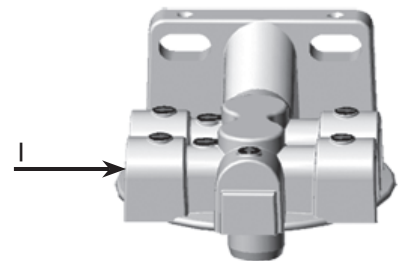
## Gasoline Spin-on Series

2

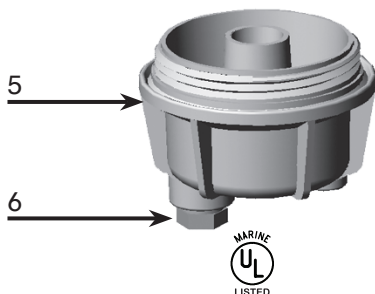
### Replacement Parts

660R-RAC-01 and 660R-RAC-02

	Part Number	Description
1.	<b>RK21411</b>	Mounting Head Kit
2.	<b>20707</b>	Gasket Kit
3.	Replacement Elements	
	<b>S3232</b>	10 Micron
	<b>S3232UL</b>	10 Micron (02)
4.	<b>RK22244</b>	Bowl O-ring Kit
5.	<b>RK30747</b>	Clear Bowl Kit
	<b>RK30473-02</b>	Metal Bowl Kit (02)
6.	<b>RK30476</b>	Self-venting Drain Kit
	<b>918-N6</b>	Steel Port Plug (02)



### Metal Bowl Kit



# Marine Fuel Filtration

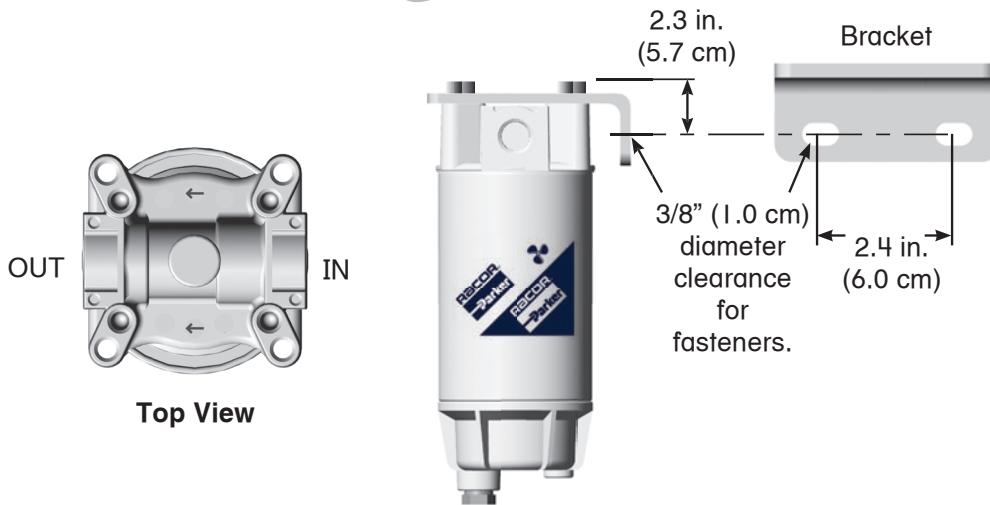
## Gasoline Spin-on Series

### How to Order

(The example below illustrates how a part number is constructed).

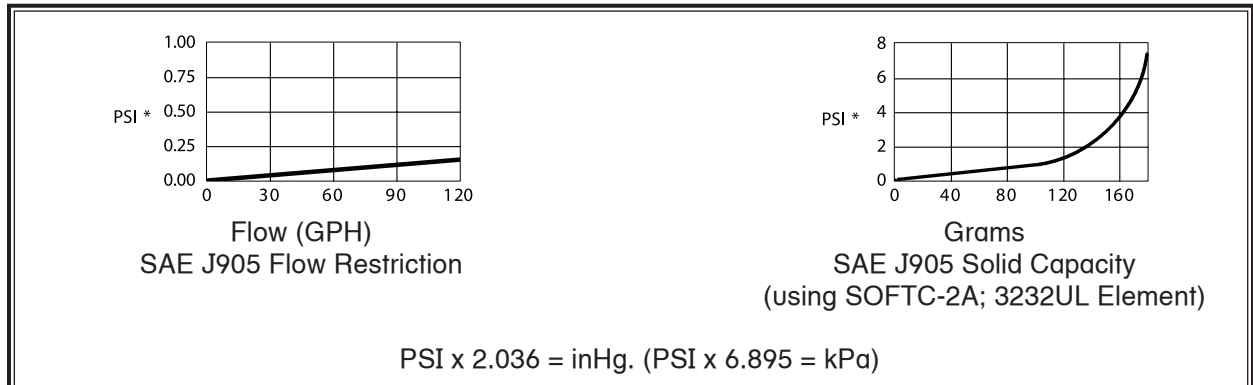
<b>3120R-RAC</b>	<b>-32</b>
Basic Model Number	120 GPH (454 LPH)

### Mounting Information



### Test Data

(Test results are from controlled laboratory testing. Field results may vary.)



**RACOR**

Technical Support:  
800.344.3286 ext. 7555  
racortech@parker.com

294



# Marine Fuel Filtration

## Gasoline Spin-on Series

2

### Replacement Parts

#### 3120R-RAC-32

Part Number	Description
1. <b>RK21329</b>	Mounting Bracket Kit (includes (4) 3/8"-16x1 fasteners)
2. <b>RK30308-01</b>	Mounting Head Kit (includes #3)
3. <b>30768</b>	Gasket Kit
4. Replacement Element (includes #3 and 5) <b>S3232UL</b>	10 Micron
5. <b>RK30076</b>	Bowl O-ring Kit
6. <b>RK30473-02</b>	Metal Bowl Kit (includes #'s 5 and 7)
7. <b>918-N6</b>	Steel Plug, 38" NPT
Additional Parts (not shown) <b>30941</b>	Installation Instructions

