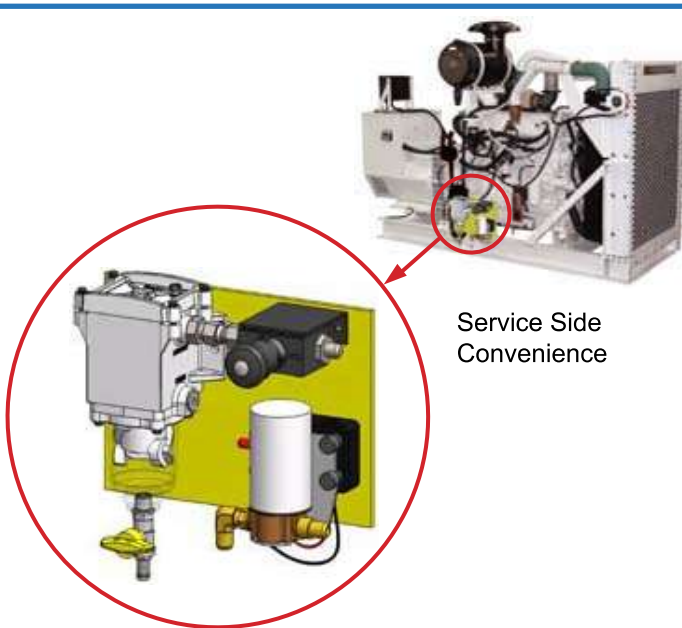


Multi-Functional Features

- Primary fuel water separator- Removes 99.9% of water
(Certified TUV Report using SAE J1839)
- In-line manual fuel primer
- Drain/fill oil change system
- Environmentally responsible
- Minimal fuel flow restriction

Benefits

- Protects engine and augments reliability
- Reduces priming time
- Saves time on maintenance
- Reduces waste stream and risk of oil spillage
- Pumps oil into and out of engine
- Increases fuel system component life

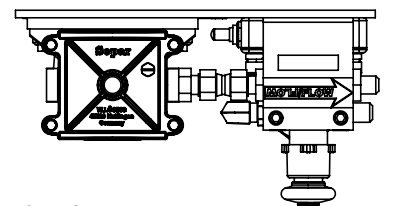
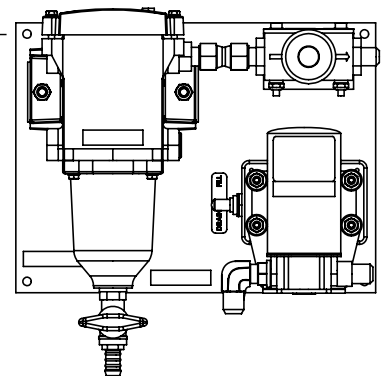


Service Side Convenience



A

4" Minimum height required for filter servicing



Drawing dimensions for reference only. Technical drawings available upon request.

Technical Specification

Filter				
Element	30 Micron			
Flow Rate	79 GPH (299 LPH)			
Inlet	#8 O-Ring Boss			
Marine Version	Includes bowl w/ heat shield			
Oil Change System - Fills and Drains				
Ports	1/2" Male JIC			
Flow Rate	3 GPM (11.3 LPM)			
Self Priming	5 ft (1.5 m) (wet gears)			
Primer				
Operating temp. range	-40°C to +120°C			
Flow	.85 oz (25 mL) per stroke			
Pressure	develops 100 psi (7 bar)			
Internal Diameter (I.D.)	1/2"			
Fitting size	1/2" Male JIC			
Model	A	B	C	Weight
SC-550-311-12	12" (304.8mm)	12.25" (311.2mm)	6.52" (165.6mm)	13 lbs (5.9kg)

Reverso Pumps, Inc.
201 SW 20th Street,
Fort Lauderdale, FL 33315

Phone: (954) 522 - 0882
Fax: (954) 522 - 0456

www.reversopumps.com
info@reversopumps.com