

AT-HV-MU Series Fresh Air Make-Up Air Handlers

Keep Air Inside the Vessel From Going Stale



The AT series of fresh-air make-up air handlers (AT-HV-MU) for chilled water systems duct in outside air, cool and dehumidify it, then re-heat it to room temperature and duct it to various interior spaces. Typically, crew cabins and other spaces two or more levels below deck will benefit from the use of these systems.

AT-HV-MU air handlers consist of water coil, valve, electric heater, and high-velocity (HV) blower mounted on a condensate pan/chassis with cushioned mounts to reduce noise and vibration. The specially-designed water coil cools and dehumidifies outside air in one pass. The coil, as well as the blower and all exposed sheet metal components, is coated to resist corrosion. A motorized three-way bypass valve controls the flow of circulated water through the coil. The HV blower has a high-efficiency internal motor, and can be rotated as required for installation. Ultra-quiet DC "WhisperCool" blowers are available. An electric heater with redundant over-temperature protection reheats the cooled air to room temperature.

The sloped condensate pan reduces standing water and is lined with anti-fungal, anti-slosh foam. The blower, condensate pan, and other exposed areas are insulated against secondary condensation. An optional modulating loop-water flow control regulates the water through the unit to ensure proper water distribution to all air handlers.

Key Benefits

- Compact design
- Corrosion-resistant coating on evaporator coil, blower, and drain pan
- Patented
- Drain pan has anti-slosh, anti-fungal foam lining
- High-velocity (HV) fully-insulated blowers are rotatable
- Integrated three-way bypass valve with easy-change power head
- Electric heat with two-stage electric heat overload
- Heater assembly accessible from the top or side
- Large coil shroud volume for optimal performance
- Brass hose barb loop-water connections
- Electrical box can be remotely mounted up to 6 ft. (1.8 m)
- Remote air bleeder on 6 ft. (1.8 m) of flexible tubing with ball valve
- Built-in flow control balances chilled water distribution

Specifications for AT-HV-MU Series Fresh Air Make-Up Air Handlers

Model	AT18HVZ-1.5KW-MU	AT24HVZ-2X1KW-MU	AT36HVZ-FC-2X1.5KW-MU
Nominal Capacity (BTU/h)	18000	24000	36000
Voltage @ 50/60Hz 1-Ph (V) ⁽¹⁾	230	230	230
Full Load Amps (FLA) Cool (A)	0.9	0.7	1.6
Full Load Amps (FLA) Heat (A)	7.5	9.4	14.7
Full Load Amps (FLA) Blower (A) ⁽²⁾	0.9	0.7	1.6
Optional Electric Heat (kW)	1.5	1	1.5
Max. Circuit Breaker (A)	10	10	20
Min. Circuit Ampacity (A)	8	10	16
Water Flow (gpm/lpm)	4.5/17.1	6/22.8	9/34.1
Air Flow (cfm/m ³ h)	174/296	276/469	550/935
External Static Pressure	0.72/179.3	0.36/89.7	0.75/186.8
Max. Height (in/mm) ⁽³⁾	15/381	16.6/422	19.5/496
Max. Width (in/mm) ⁽³⁾	20.3/516	22.6/575	26.6/676
Max. Depth (in/mm) ⁽³⁾	12.3/313	15.3/389	18/458
Drain Connection Size (in)	1/2	1/2	1/2
Drain Connection Type	FPT	FPT	FPT
Chilled Water Connection Size (in)	1/2	1/2	1
Chilled Water Connection Type	FPT	FPT	FPT
Min. Supply Duct Size (in/mm)	5/127	6/153	8/204
Min. Return Air Grille Size (sq in/sq cm)	100/646	140/904	220/1420
Net Weight (lbs/kg) ⁽⁴⁾	35/15.9	44/20	63.75/29
Gross Weight (lbs/kg)	43/19.6	58/26.4	81.25/36.9

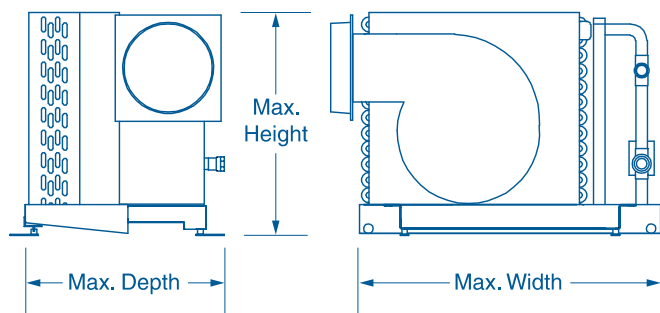
¹ Verify voltage! Units with SCR-based controls are designed for either 208VAC or 230VAC. Add "208" to the end of the model number for 208VAC units.

² Electrical and blower data is based on 50Hz performance.

³ All dimensions \pm 0.30 in. (8 mm).

⁴ All weights \pm 10%

Dimensions



DOMETIC MARINE DIVISION

2000 N. Andrews Ave. Ext. | Pompano Beach, FL 33069 USA | Tel. 954-973-2477 | Fax: 954-979-4414
www.Dometic.com/Marine | MarineSales@DometicUSA.com

24/7 TECH SUPPORT FOR UNITED STATES & CANADA:

8:00 AM to 5:00 PM Eastern Time: 800-542-2477

After hours and weekends: 888-440-4494

INTERNATIONAL SALES & SERVICES

Europe & the Middle East: Call +44(0)870-330-6101

For all other areas visit our website to find your nearest distributor.

L-2404 Rev. 20130607

Specifications and availability subject to change without notice.

Dealer

