

HTS-VG VacuFlush® Holding Tanks

Complete VacuFlush® Tank Systems In One Package

Virtually any boat from 25 feet (7.6 m) can feature a completely integrated VacuFlush toilet system by virtue of HTS-VG series holding tank systems. Our range of popular tank sizes and choice of convenience options make VacuFlush systems the most installer- and user-friendly toilet systems in motor yachts and other pleasure boats.

HTS-VG VacuFlush Holding Tank Systems

- 12 standard, full-featured models for easy specifying and installing
- Corrosion-proof, leak-proof, odor-proof – high-density polyethylene tank construction
- “Whisper-quiet” vacuum and discharge* pump operation
- All components are pre-wired, pre-plumbed, pre-tested
- Easy to install – no solvent-bond connection required
- ISO/USCG compliant tanks

* Discharge pump not included with every HTS-VG model

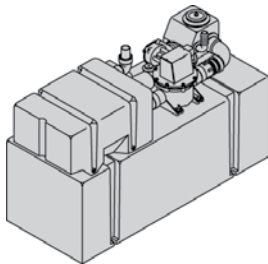


28 HTS-VG

10 HTS-VG

Height: 16 in./406 mm
Width: 10.875 in./276 mm
Length: 32.375 in./822 mm

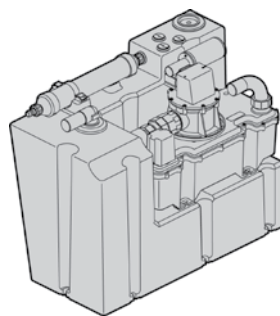
Item: 322711012 – 12V
Item: 322101024 – 24V



18 HTS-VG

Height: 23 in./584 mm
Width: 15.25 in./387 mm
Length: 29.125 in./740 mm

Item: 322711812 – 12V
Item: 322011824 – 24V

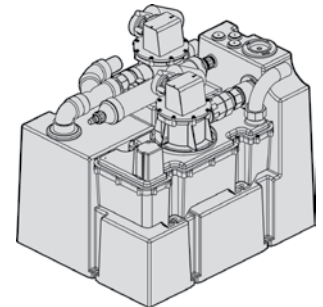


Dimensions include height of fittings and accessories

21 HTS-VG

Height: 22 in./559 mm
Width: 20 in./508 mm
Length: 25 in./635 mm

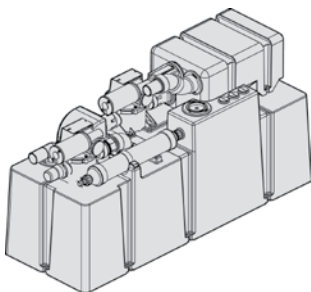
Item: 322702112 – 12V
Item: 322702124 – 24V



27 HTS-VG

Height: 21.375 in./543 mm
Width: 14.75 in./375 mm
Length: 42 in./1067 mm

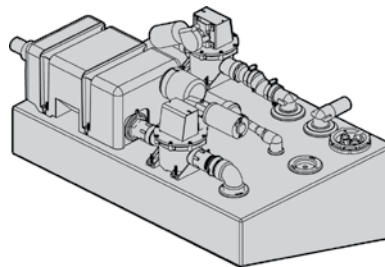
Item: 322712712 – 12V
Item: 322712724 – 24V



28 HTS-VG-HL

Height: 19.625 in./498 mm
Width: 24.25 in./616 mm
Length: 38.5 in./978 mm

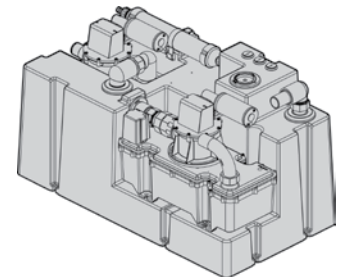
Item: 322722812 – 12V
Item: 322722824 – 24V



28 HTS-VG

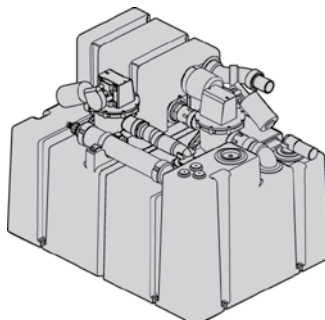
Height: 19.75 in./502 mm
Width: 19.25 in./489 mm
Length: 36.75 in./933 mm

Item: 322712812 – 12V
Item: 322712824 – 24V



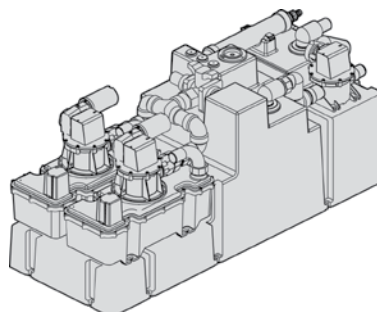
35 HTS-VG

Height: 21.5 in./546 mm
Width: 22.5 in./572 mm
Length: 32 in./813 mm
Item: 322713512 – 12V
Item: 322013524 – 24V



39 HTS-VG (for 2 VacuFlush toilets)

Height: 21.5 in./546 mm
Width: 18.5 in./470 mm
Length: 51 in./1295 mm
Item: 322703912 – 12V
Item: 322703924 – 24V



HTS-VG Series VacuFlush Holding Tank System Technical Specifications

MODEL	CAPACITY (GAL./LITERS)	EMPTY WEIGHT (LBS./KG)	MAX. WEIGHT (LBS./KG)	VACUUM GENERATOR (QTY)	OUTLETS (QTY)	DISCHARGE PUMP	VENT FILTER
10 HTS-VG	10 / 38	36 / 16.3	116 / 52.6	1	1	–	–
18 HTS-VG	18 / 68	39 / 17.7	183 / 83	1	1	–	included
21 HTS-VG	21 / 80	52 / 24	220 / 100	1	2	included	included
27 HTS-VG	27 / 102	56 / 25.4	272 / 123	1	2	included	included
28 HTS-VG	27.5 / 104	56.5 / 25.6	277 / 126	1	2	included	included
28 HTS-VG-HL	28 / 106	56.5 / 25.6	281 / 128	1	2	included	included
35 HTS-VG	35 / 132	58 / 26.3	338 / 153	1	2	included	included
39 HTS-VG	39 / 148	84 / 38	396 / 180	2	2	included	included
40 HTS-VG	40 / 151	80 / 36.4	440 / 200	2	2	included	included
42 HTS-VG	42 / 159	70 / 31.8	406 / 184	1	2	included	included
55 HTS-VG	55 / 208	90 / 40.8	530 / 240	2	2	included	–
80 HTS-VG	80 / 302	90 / 40.8	730 / 331	2	2	included	–

All HTS-VG models shown here include DTM04 four-level tank monitor system and TankSaver relief valve. All vacuum generators include VacuFlush shutdown relay. Available in 12 V and 24 V DC systems. Specifications subject to change without notice.

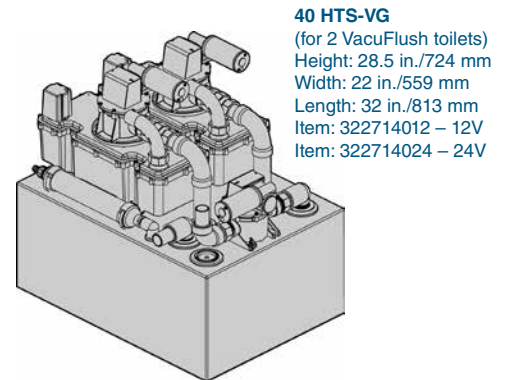
HTS-VG System Requirements

		VACUUM GENERATOR*	DISCHARGE PUMP*	DTM04 TANK MONITOR
ELECTRICAL	Power draw (avg.)	6 amps/12 V DC 3 amps/24 V DC	6 amps/12 V DC 3 amps/24 V DC	0.15 amp/12 V DC 0.09 amp/24 V DC
	Circuit breaker/fuse	10 amps/12 V DC 5 amps/24 V DC	10 amps/12 V DC 5 amps/24 V DC	1 amp/12 V DC 1 amp/24 V DC
INLET PLUMBING	ID	1.5 in./38 mm sanitation hose or PVC pipe		
	Horizontal run	50 ft./15.2 m max. from toilet discharge		
	Vertical run	6 ft./1.8 m max. from toilet discharge		
DISCHARGE PLUMBING	ID	1.5 in./38 mm sanitation hose or PVC pipe		
	Horizontal run**	30 ft./9.1 m max. to discharge fitting		
	Vertical run**	6 ft./1.8 m max. to discharge fitting		
VENT HOSE	ID	5/8 in./16 mm sanitation hose		
REQUIRED COMPONENT	VacuFlush toilet †			

* Requires separate circuit breaker or fuse.

** For models with T series discharge pump.

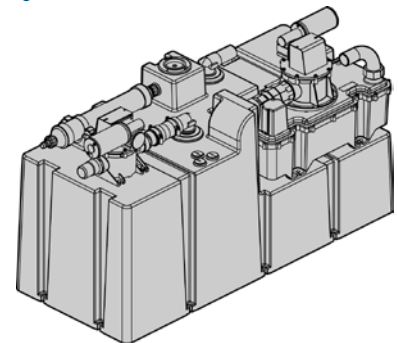
† Purchased separately. Electronic-flush VacuFlush toilets require separate electrical circuit. Refer to toilet specifications. Specifications subject to change without notice.



40 HTS-VG
(for 2 VacuFlush toilets)
Height: 28.5 in./724 mm
Width: 22 in./559 mm
Length: 32 in./813 mm
Item: 322714012 – 12V
Item: 322714024 – 24V

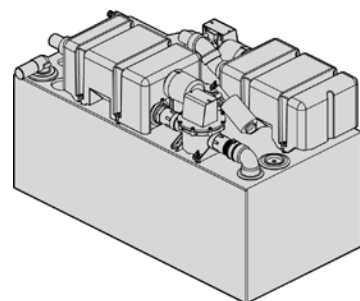
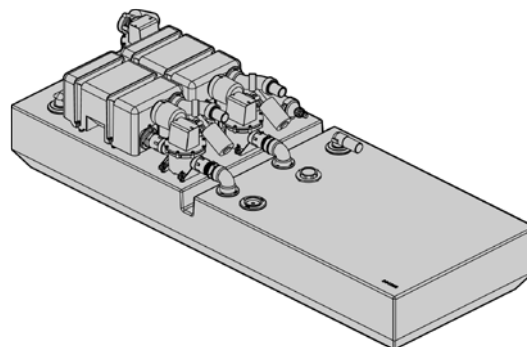
42 HTS-VG

Height: 25.25 in./641 mm
Width: 18 in./457 mm
Length: 44.5 in./1130 mm
Item: 322714212 – 12V
Item: 322014224 – 24V



80 HTS-VG (for 2 VacuFlush toilets)

Height: 17.5 in./445 mm
Width: 28 in./711 mm
Length: 76 in./1930 mm
Item: 322718012 – 12V
Item: 322718024 – 24V



55 HTS-VG (for 2 VacuFlush toilets)

Height: 24 in./610 mm
Width: 21.5 in./546 mm
Length: 40 in./1016 mm
Item: 322715512 – 12V
Item: 322715524 – 24V

Dimensions include height of fittings and accessories

