

ATV-DC Series Slim-Profile Air Handlers

Designed With Depth Constraints In Mind



ATV-DC chilled water air handlers were designed for applications where very little depth is available. Showcasing a unique vertical layout, these air handlers have the coil low and the blower above.

Featuring a slim profile, ATV-DC air handlers make previously unusable areas suitable for installation. With a depth of only 9.4 in. (240 mm), these units can be hidden in side areas instead of in places above or below, where most air handlers are installed. ATV-DC air handlers have DC "WhisperCool" blowers that are ultra quiet yet strong enough to overcome high-static-pressure duct. The internal blower motor keeps overall unit depth to a minimum, resulting in easier installation.

ATV air handlers are available in two configurations: Low-profile (LP) and square (SQ). LP models have a reduced height for installations where height, as well as depth, is restricted. SQ models have a square blower assembly that allows 90° of blower rotation in the field.

ATV air handlers are constructed with corrosion-resistant materials and have drain pans lined with an anti-slosh, anti-fungal foam. Exposed metal surfaces are insulated against secondary condensation. Options include a flow control valve that balances chilled water distribution throughout the system, and electric heat.

Key Benefits

- DC "WhisperCool" blowers are extremely quiet yet powerful enough to overcome high-static-pressure duct
- Unique vertical design results in dramatically reduced depth
- Fits into walls and other tight spaces
- Low-profile models (ATV*DC-LP) have a reduced height for tight installation spaces
- Square models (ATV*DC-SQ) allow 90° of blower rotation in the field
- Exposed components are insulated against secondary condensation
- Electrical box can be remotely mounted up to 6 ft. (1.8 m)
- Optional flow control automatically balances circulated water throughout the system
- Optional electric heat

Specifications for ATV-DC Series Slim-Profile Air Handlers

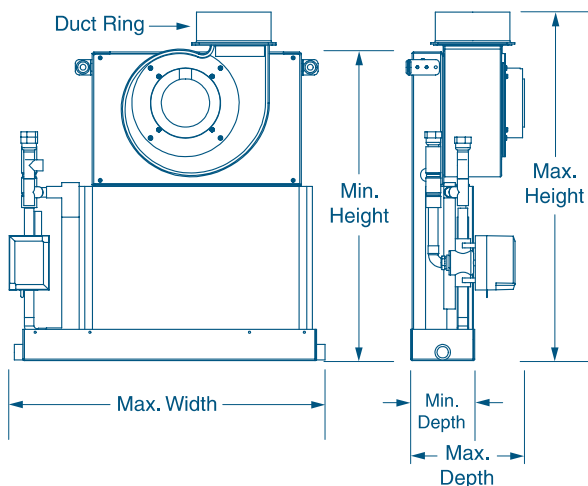
Model ⁽¹⁾	ATV6DC-LP	ATV9DC-LP	ATV12DC-LP	ATV18DC-LP	ATV24DC-LP	ATV36DC-LP
Nominal Capacity - Cool (BTU/h)	6000	9000	12000	18000	24000	36000
Voltage @ 50/60Hz 1-Ph (V)	230	230	230	230	230	230
Full Load Amps (FLA) Cool (A) ⁽²⁾	1.4	1.4	3.2	3.9	3.9	3.9
Full Load Amps (FLA) Blower (A)	1.4	1.4	3.2	3.9	3.9	3.9
Optional Electric Heat (kW)	1	1.5	1.5	3	3	3
Heater Amps (A)	4.3	6.5	6.5	13	13	13
Max. Circuit Breaker (A)	10	5	5	5	15	5
Min. Circuit Ampacity (A)	7	2	4	3	13	5
Water Flow (gpm/lpm)	1.5/5.7	2.25/8.6	3/11.4	4.5/17.1	6/22.8	9/34.1
Air Flow (cfm/m ³ h)	290/493	290/493	421/716	548/932	670/1139	670/1139
External Static Pressure	0.3/74.7	0.3/74.7	2.1/522.9	1.4/348.6	0.3/74.7	0.3/74.7
Min. Height (in/mm) ⁽³⁾	20.2/514	20.2/514	20.6/524	25.4/646	27.7/704	31.9/811
Max. Height (in/mm) ⁽³⁾	22.9/582	22.9/582	24.1/613	27.9/709	29.9/760	34.7/882
Max. Width (in/mm) ⁽³⁾	20.3/516	20.3/516	20.3/516	21.1/536	23.7/602	29.4/747
Min. Depth (in/mm) ⁽³⁾	4.1/105	4.1/105	4.2/107	6/153	7.7/196	7.6/194
Max. Depth (in/mm) ⁽³⁾	7.5/191	7.5/191	9.4/239	10.1/257	10.8/275	11.4/290
Drain Connection Size (in)	1/2	1/2	1/2	1/2	1/2	1/2
Drain Connection Type	FPT	FPT	FPT	FPT	FPT	FPT
Chilled Water Connection Size (in)	1/2	1/2	1/2	1/2	1/2	1
Chilled Water Connection Type	FPT	FPT	FPT	FPT	FPT	FPT
Min. Supply Duct Size (in/mm)	5/127	6/153	6/153	7/178	8/204	8/204
Min. Supply Air Grille Size (sq in/sq cm)	35/226	49/317	70/452	100/646	140/904	196/1265
Min. Return Air Grille Size (sq in/sq cm)	70/452	98/633	130/839	200/1291	240/1549	360/2323

¹ "Z" indicates 230V. Add "-FC" for optional flow control; add "-L" for valve on the left relative to the blower side of the coil (right side is the default); add "#kW" for amount of optional electric heat in kilowatts.

² Blower amps will be reduced at lower speed/cfm or higher static pressure. Amps listed are at free air.

³ All dimensions ± 0.30 in. (8 mm).

Dimensions



DOMETIC MARINE DIVISION

2000 N. Andrews Ave. Ext. | Pompano Beach, FL 33069 USA | Tel. 954-973-2477 | Fax: 954-979-4414
 www.Dometic.com/Marine | MarineSales@DometicUSA.com

24/7 TECH SUPPORT FOR UNITED STATES & CANADA:

8:00 AM to 5:00 PM Eastern Time: 800-542-2477
 After hours and weekends: 888-440-4494

INTERNATIONAL SALES & SERVICES

Europe & the Middle East: Call +44(0)870-330-6101
 For all other areas visit our website to find your nearest distributor.

