

ATV-HV Series Slim-Profile Air Handlers

Designed With Depth Constraints In Mind



ATV-HV chilled water air handlers were designed for applications where very little depth is available. Showcasing a unique vertical layout, these air handlers have the coil low and the blower above.

Featuring a slim profile, ATV-HV air handlers make previously unusable areas suitable for installation. With a depth of only 9.4 in. (240 mm), these units can be hidden in side areas instead of in places above or below, where most air handlers are installed. ATV-HV air handlers have a high-velocity blower with internal motor that keeps overall unit depth to a minimum, resulting in easier installation.

ATV-HV air handlers are available in two configurations: Low-profile (LP) and square (SQ). LP models have a reduced height for installations where height, as well as depth, is restricted. SQ models have a square blower assembly that allows 90° of blower rotation in the field.

ATV-HV air handlers are constructed with corrosion-resistant materials and have drain pans lined with an anti-slosh, anti-fungal foam. Exposed metal surfaces are insulated against secondary condensation. Options include a flow control valve that balances chilled water distribution throughout the system, and electric heat.



The ATV's slim-profile design is ideal for installation in walls and other areas where depth is limited.

Key Benefits

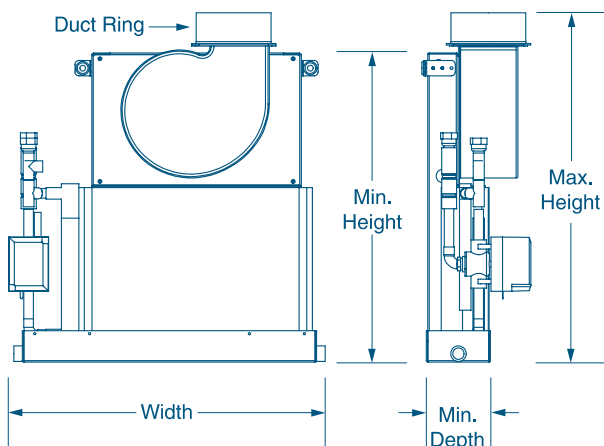
- Unique vertical design results in dramatically reduced depth
- Fits into walls and other tight spaces
- Exposed components are insulated against secondary condensation
- High-velocity (HV) blower with internal motor to reduce depth
- Low-profile models (ATV*HV-LP) have a reduced height for tight installation spaces
- Square models (ATV*HV-SQ) allow 90° of blower rotation in the field
- Electrical box can be remotely mounted up to 6 ft. (1.8 m)
- Drain pan has anti-slosh, anti-fungal foam lining
- Optional flow control automatically balances circulated water throughout the system
- Optional electric heat
- Optional Breathe Easy™ microparticle air filter

Specifications for ATV-HV Series Slim-Profile Air Handlers

Model ⁽¹⁾	ATV6HV-LP		ATV9HV-LP		ATV12HV-LP		ATV18HV-LP		ATV24HV-LP	
Nominal Capacity - Cool (BTU/h)	6000		9000		12000		18000		24000	
Voltage @ 50/60Hz 1-Ph (V)	115	230	115	230	115	230	230	115	230	115
Full Load Amps (FLA) Cool (A)	1.6	0.9	1.1	0.7	1.5	0.7	1.15	2.3	1.64	2.3
Full Load Amps (FLA) Blower (A)	1.6	0.9	1.1	0.7	1.5	0.7	1.15	2.3	1.64	2.3
Optional Electric Heat (kW)	1		1.5		1.5		3		3	
Heater Amps (A)	8.7	4.3	13	6.5	13	6.5	13	26.1	13	26.1
Max. Circuit Breaker (A)	5		5		5		5		5	
Min. Circuit Ampacity (A)	2		2	1	2	1	2	3	3	
Water Flow (gpm/lpm)	1.5/5.7		2.25/8.6		3/11.4		4.5/17.1		6/22.8	
Air Flow (cfm/m ³ h)	245/417		280/476		370/629		485/825		709/1205	
External Static Pressure	0.3/74.7		0.3/74.7		0.3/74.7		0.3/74.7		0.3/74.7	
Min. Height (in/mm)	20.2/514		21.5/547		21.5/547		25.4/646		29.1/740	
Max. Height (in/mm)	22.9/582		24.1/613		24.1/613		27.8/707		31.3/796	
Max. Width (in/mm)	20.2/514		20.2/514		20.2/514		21.2/539		23.7/602	
Min. Depth (in/mm)	4.3/110		4.3/110		4.3/110		6/153		7.7/196	
Max. Depth (in/mm)	TBD		7.4/188	TBD	8/204		8.9/227		TBD	10.4/265
Drain Connection Size (in)	1/2		1/2		1/2		1/2		1/2	
Drain Connection Type	FPT		FPT		FPT		FPT		FPT	
Chilled Water Connection Size (in)	1/2		1/2		1/2		1/2		1/2	
Chilled Water Connection Type	FPT		FPT		FPT		FPT		FPT	
Min. Supply Duct Size (in/mm)	5/127		6/153		6/153		7/178		8/204	
Min. Supply Air Grille Size (sq in/sq cm)	35/226		49/317		70/452		100/646		140/904	
Min. Return Air Grille Size (sq in/sq cm)	70/452		98/633		130/839		200/1291		240/1549	

¹ 'LP' indicates low-profile configuration; replace with 'SQ' for square configuration.

Dimensions



DOMETIC MARINE DIVISION

2000 N. Andrews Ave. Ext. | Pompano Beach, FL 33069 USA | Tel. 954-973-2477 | Fax: 954-979-4414
 www.Dometic.com/Marine | MarineSales@DometicUSA.com

24/7 TECH SUPPORT FOR UNITED STATES & CANADA:

8:00 AM to 5:00 PM Eastern Time: 800-542-2477
 After hours and weekends: 888-440-4494

INTERNATIONAL SALES & SERVICES

Europe & the Middle East: Call +44(0)870-330-6101
 For all other areas visit our website to find your nearest distributor.

