

Cuddy II Air Conditioner

DC-Powered Air Conditioning With Progressive Low Starting Surge



Designed for small cabins, Dometic's Cuddy II 12V DC-powered air conditioner is a self-contained, water-cooled unit for boats cruising in either freshwater or saltwater. The unit draws power gently at startup for a progressive low starting surge.

The Cuddy II is ideal for sailboats and powerboats, and can be operated directly from batteries or used dockside with a suitable battery charger. It provides 3,500 BTUs of cooling capacity and draws only 30 amps (without circulating pump).

Built for dependability, the Cuddy II has a stainless steel base pan that is insulated to prevent sweating and minimize movement and sound. The evaporator coil of lanced aluminum fins and rifled copper tubing is dipped in a protective polyester enamel. The compact motorized impeller moves air quietly and efficiently through ductwork and grille.

Protective features include independent locked-rotor protection on compressor and air mover. Under voltage protection shuts down compressor and air mover if voltage is less than 10.5V. The compressor and air mover have separate over-current protection, with a 45-amp limit on the compressor and a 27-amp limit on the air mover. The Cuddy II has thermal protection and polarity protection.

Installation is easy with a readily accessible terminal strip for both the 12V DC power input and the thermostat wiring. There are condensate connections on 3 sides of the base pan, and hold-down clamps are included. The Cuddy II uses environmentally friendly R-134a refrigerant, and comes factory charged, wired, and tested. To conserve space, the control box is mounted remotely from the air conditioner on a 4.5 ft (137 cm) heavy-duty cable.

Key Benefits

- Ideal for small cabins, sailboats, and powerboats
- 12V DC-powered air conditioning system
- Provides 3,500 BTUs of cooling power
- Under voltage protection at 10.5V
- Dependable and easy to install
- Stainless-steel insulated base pan
- High-performance evaporator coil
- Locked-rotor protection
- Over/under voltage protection
- Thermal protection
- Polarity protection
- Factory charged, wired, and tested

Special Options

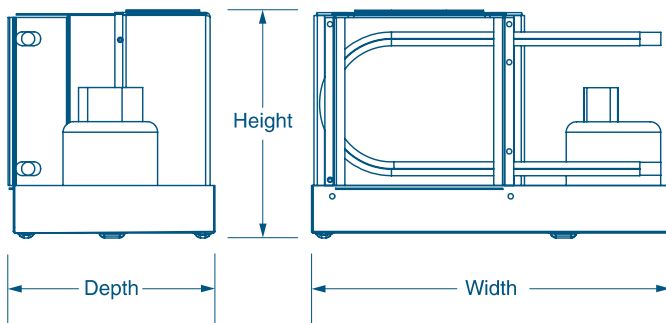
- Wall-mounted thermostat
- O-LED joystick digital control thermostat
- DC water pump
- Plumbing fittings
- Grilles, transitions, and other duct materials

Specifications for Cuddy II Air Conditioner

Model	Cuddy II
Capacity ⁽¹⁾	3,500 BTU/hr
Voltage	12V DC
Min. Voltage	10.5V DC
Full Load Amps (FLA) Cool	29.2
Full Load Amps (FLA) Blower	2.7
DC Power Requirement (W)	500
Max. Circuit Breaker (Amps)	50
Min. Circuit Ampacity (Amps)	42
Refrigerant Type	R-134A
Height (in/mm)	10.63/270
Width (in/mm)	9.63/245
Depth (in/mm)	25/635
Min. Duct Diameter (in/mm)	4/102
Min. Supply-Air Grille (sq. in/cm)	12/30
Min. Return-Air Grille (sq. in/cm)	64/163
Water Connections (in/mm)	0.63/16
Net Weight (lbs/kg)	35/15.9
Gross Weight (lbs/kg)	45/20.4

¹ BTU and electrical data are based on a 45°F (7.2°C) evaporator and 100°F (37.8°C) condenser in cool mode.

Dimensions



DOMETIC MARINE DIVISION

2000 N. Andrews Ave. Ext. | Pompano Beach, FL 33069 USA | Tel. 954-973-2477 | Fax: 954-979-4414
www.Dometic.com/Marine | MarineSales@DometicUSA.com

24/7 TECH SUPPORT FOR UNITED STATES & CANADA:

8:00 AM to 5:00 PM Eastern Time: 800-542-2477

After hours and weekends: 888-440-4494

INTERNATIONAL SALES & SERVICES

Europe & the Middle East: Call +44(0)870-330-6101

For all other areas visit our website to find your nearest distributor.

L-3392 Rev. 20141003

Specifications and availability subject to change without notice.

Dealer

