

EBE Series R-410A Evaporators

The New Standard In Marine High-Performance Evaporators



Compact EBE split evaporators for boats are draw-through, ductable cooling units with reverse-cycle heating. Featuring a rotatable, high-efficiency permanent split capacitor (PSC) blower in which the motor is concealed, EBE series evaporators are available in capacities from 6K to 36K BTU/hr. EHBE units have electric heat.

The EBE Series was designed for installation low in a closet, cabinet, or other enclosed space, with discharge air ducted to one or more grilles high in the cabin. EBE units can be used with a combination of plenums and flexible duct, or built-in ductwork may be used. If you are using built-in ductwork, a flexible transition between the blower and duct should be installed.

Vibration-isolation mounting is built into each EBE unit to reduce noise and vibration. The PSC blower is supported by a sturdy aluminum bracket with isolation grommets to reduce possible vibration. The blower's internal motor housing reduces the overall unit depth for easier installation and promotes quieter operation.

The drain pan and blower housing are covered with insulating foam which reduces noise and secondary condensation.

The "positive flow" drain pan has an anti-slosh, antifungal foam lining. Two 1/2 in. (13 mm) drains are located on the blower side of the drain pan.

Key Benefits

- Compact ductable cooling or heating units
- High-velocity (HV) fully-insulated blowers are rotatable
- Insulated condensate pan with anti-slosh, anti-fungal foam lining
- Available with electric heat (EHBE models)
- High-efficiency evaporator coil
- Larger blower inlet for increased air flow across the coil
- Blower support bracket with cushioned mounts to reduce noise and vibration
- Increased metal thickness on structural parts for added strength
- Thermal expansion valve for optimal performance over a range of conditions
- Designed to be used with Emerald Series (R-410A) condensers

Specifications for EBE Series R-410A Evaporators

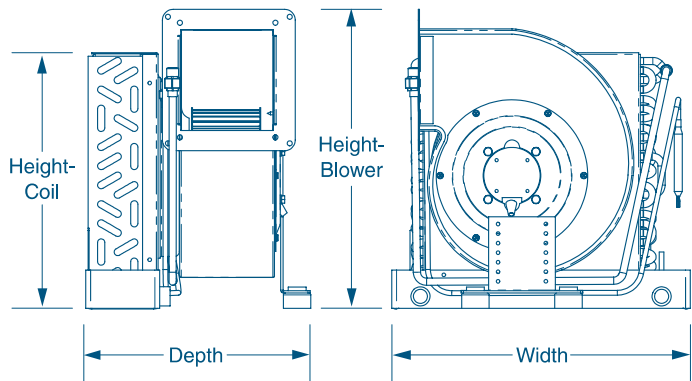
Model ⁽¹⁾	EBE18	EBE24	EBE30	EBE36	EBHE8	EBHE10	EBHE12	EBHE16	EBHE24
Capacity (BTU/h)	18000	24000	30000	36000	8000	10000	12000	16000	24000
Voltage @ 50/60Hz 1-Ph (V)	230	230	230	230	230	230	230	230	230
Full Load Amps (FLA) Cool (A)	1.15	1.64	1.64	7.3	0.98	0.66	0.56	0.88	1.64
Full Load Amps (FLA) Heat (A)	N/A	N/A	N/A	N/A	5.4	7.2	9.26	9.58	14.68
Full Load Amps (FLA) Blower (A)	1.15	1.64	4	4	0.98	0.66	0.56	1.15	1.64
Max. Circuit Breaker (A)	5	5	5	10	10	10	10	10	20
Min. Circuit Ampacity (A)	2	3	3	10	6	8	10	10	16
Electric Heat (kW/hp)	N/A	N/A	N/A	N/A	1/1.4	1.5/2.1	2/2.7	2/2.7	3/4.1
Heater Amps (A)	N/A	N/A	N/A	N/A	4.35	6.52	8.7	8.7	13.04
Air Flow (cfm/m ³ h)	540/918	800/1360	1000/1700	1200/2039	266/452	333/566	400/680	533/906	800/1360
Height-Coil (in/mm) ⁽²⁾	13.63/347	16.5/420	20.5/521	20.5/521	11.25/286	12.5/318	12.5/318	13.5/343	16.5/420
Height-Blower (in/mm)	15.13/385	17/432	22/559	22.25/566	12.5/318	13.5/343	13.5/343	15.5/394	17/432
Width (in/mm) ⁽²⁾	16/407	20/508	20.75/528	20.75/528	13.75/350	14.25/362	14.25/362	16/407	20/508
Depth (in/mm) ⁽²⁾	14/356	14.5/369	15/381	17.75/451	12/305	13.75/350	14.5/369	14.75/375	15/381
Min. Supply Duct Size (in/mm)	7/178	9/229	10/254	10/254	6/152	6/152	6/152	7/178	9/229
Min. Supply Air Grille Size (sq in/sq cm)	100/645	140/903	170/1097	196/1265	49/316	60/387	70/452	80/516	140/903
Min. Return Air Grille Size (sq in/sq cm)	200/1290	240/1548	350/2258	360/2323	98/632	100/645	130/839	160/1032	240/1548
Net Weight (lbs/kg) ⁽³⁾	27/12.3	37.65/17.1	36/16.4	41.75/19	21/9.6	23/10.5	23/10.5	28/12.8	44.75/20.3
Gross Weight (lbs/kg) ⁽³⁾	35/15.9	49.5/22.5	42/19.1	56.5/25.7	29/13.2	31/14.1	31.5/14.3	36/16.4	56.25/25.6

¹ 'EBE' indicates evaporator without electric heat; 'EBHE' indicates evaporator with electric heat. Dometic Marine also offers an EBHE6-1KW and EBHE16-3KW. For more information please contact a sales representative at 954-973-2477.

² All dimensions ± 0.30 in. (8 mm).

³ All weights ± 10%

Dimensions



DOMETIC MARINE DIVISION

2000 N. Andrews Ave. Ext. | Pompano Beach, FL 33069 USA | Tel. 954-973-2477 | Fax: 954-979-4414
 www.Dometic.com/Marine | MarineSales@DometicUSA.com

24/7 TECH SUPPORT FOR UNITED STATES & CANADA:

8:00 AM to 5:00 PM Eastern Time: 800-542-2477
 After hours and weekends: 888-440-4494

INTERNATIONAL SALES & SERVICES

Europe & the Middle East: Call +44(0)870-330-6101
 For all other areas visit our website to find your nearest distributor.



EFD 2-Ton Evaporator

High-Capacity Marine Unit for R-22 or R-417A Condensers



Marine Air's EFD 24,000 BTU/hr evaporator for split-system air conditioning features a compact, modular design. For maximum efficiency, the plenum chambers are increased and the coil has enhanced fins and rifled tubing. This unit also offers easy disassembly for access to components for maintenance. It works with Marine Air R-22 or R-417A condensers.

The centrifugal blower is quiet and efficient with a fully-insulated housing. For installation flexibility, the blower rotates to horizontal or vertical positions. The blower's internal motor reduces depth for easier installation. A thermoplastic mounting ring enables easy installation of ducting or transition box.

The condensate drain pan includes two 1/2 in. (13 mm) FPT drain hook-ups, and it is insulated to prevent sweating.

As with all Marine Air products, quality is assured. Each unit is pre-charged, test-run in all operating modes, and leak-checked at the factory prior to shipping. All surface components are constructed of or coated with materials resistant to fire and corrosion. Charge Guard® protection provides sealed access ports that ensure environmental protection and system integrity. Marine Air evaporators meet or exceed applicable ABYC and US Coast Guard regulations, CE directives, and general Air Conditioning and Refrigeration Industry (ARI) standards.

Key Benefits

- Compact high-efficiency 24,000 BTU/hr evaporator
- Easy disassembly for maintenance access
- High-velocity (HV) blower with internal motor to reduce depth
- Patented
- 1/2 in. (13 mm) FPT drain connections
- Blower support bracket with cushioned mounts to reduce noise and vibration
- Charged, tested, and leak checked at the factory
- Meets or exceeds all applicable standards and regulation

Specifications for EFD 2-Ton Evaporator

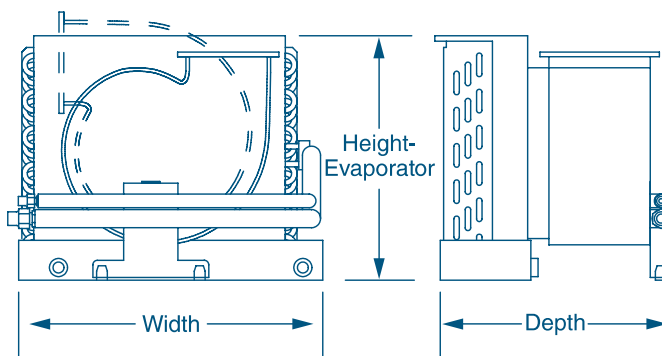
Model ⁽¹⁾	EFD24
Capacity (BTU/h)	24000
Voltage @ 50/60Hz 1-Ph (V)	230
Full Load Amps (FLA) Cool (A)	1.64
Full Load Amps (FLA) Blower (A)	1.64
Max. Circuit Breaker (A)	5
Min. Circuit Ampacity (A)	3
Height-Evaporator (in/mm) ⁽²⁾	16.5/420
Width (in/mm) ⁽²⁾	21.25/540
Depth (in/mm) ⁽²⁾	15.6/397
Min. Supply Duct Size (in/mm)	8/204
Min. Supply Air Grille Size (sq in/sq cm)	140/904
Min. Return Air Grille Size (sq in/sq cm)	240/1549
Refrigerant Line Connection-Discharge (in)	3/8
Refrigerant Line Connection-Suction (in)	5/8
Net Weight (lbs/kg) ⁽³⁾	37.95/17.3
Gross Weight (lbs/kg) ⁽³⁾	42.2/19.2

¹ Replace "™" in the model name with 'D' for Passport I/O digital control system, or 'M' for electro-mechanical control.

² All dimensions ± 0.30 in. (8 mm).

³ All weights ± 10%

Dimensions



DOMETIC MARINE DIVISION

2000 N. Andrews Ave. Ext. | Pompano Beach, FL 33069 USA | Tel. 954-973-2477 | Fax: 954-979-4414
www.Dometic.com/Marine | MarineSales@DometicUSA.com

24/7 TECH SUPPORT FOR UNITED STATES & CANADA:

8:00 AM to 5:00 PM Eastern Time: 800-542-2477

After hours and weekends: 888-440-4494

INTERNATIONAL SALES & SERVICES

Europe & the Middle East: Call +44(0)870-330-6101

For all other areas visit our website to find your nearest distributor.

Dealer