

# 4600 Series VacuFlush Toilets

High-powered performance in a versatile fixture



VacuFlush 4609 toilet with VFS flush switch (ordered separately; see page 9)

Enjoy the premium look of an all-ceramic toilet, yet in a compact size that allows installation in a wide range of yachts and head compartment layouts, with SeaLand 4600 series all-ceramic VacuFlush® toilets. Its upscale style and electronic flush switch operation perfectly complement today's taste in boat designs and conveniences.

With freshwater flushing, instantaneous evacuation of bowl contents, and thorough rinsing action, VacuFlush 4600 series toilets deliver sparkling clean, odor-free performance. Using only 0.27 gal. (1.02 l) per flush in the "normal" mode or 0.08 gal. (0.3 l) in the "low" mode, 4600 series toilets greatly extend the use of a holding tank between pump-outs as compared to manual and other electric toilets. In the "low" mode, very little water remains in the toilet after flushing. This prevents splashing water out of the bowl while a boat is underway or in rough seas.

SeaLand VacuFlush 4600 series toilets satisfy diverse owner preferences and meet virtually any boatbuilder requirement. The contemporary shape features a compact footprint to fit in most any head compartment. They are available in low-profile and standard-height units; white or bone colors; and in 12 V DC or 24 V DC models.

## Key Benefits

- Powerful vacuum flush
- Ultra low water consumption in two modes – "normal" flush at 0.27 gal. (1.02 l) or "low" flush at 0.08 gal. (0.3 l)
- VacuFlush wall switch; compatible with popular Vimar and Gewiss frames (not included)
- Flat-back design – fits against bulkheads
- "Soft-close" thermoset seat
- Standard and low-profile heights
- Automatic "full tank" shutdown prevents overflowing the holding tank (when connected to tank level indication system)
- Service mode allows cleaning or other service without running water
- Integrated fuse (toilet only) – easy to reset
- Matching free-standing bidet fixtures available
- 12 V DC or 24 V DC operation

## Technical Specifications for 4600 Series VacuFlush® Toilets

MODEL	DESCRIPTION	DISCHARGE
4606	Low-profile all-ceramic VacuFlush electric toilet	through the floor, 1.5 in./38 mm dia. plumbing, vacuum
4609	Standard-height all-ceramic VacuFlush electric toilet	through the floor, 1.5 in./38 mm dia. plumbing, vacuum
4648	Standard-height all-ceramic VacuFlush electric toilet	above the floor, 1.5 in./38 mm dia. plumbing, vacuum
4601	Standard-height manual bidet with flat back	through the floor, 1.5 in./38 mm dia. plumbing, gravity
4602	Low-profile manual bidet with flat back	through the floor, 1.5 in./38 mm dia. plumbing, gravity

White and bone colors available. 12 V DC and 24 V DC models available. Flush switch must be ordered separately (see page 9). Specifications subject to change without notice.

### 4600 Series VacuFlush System Requirements

<b>ELECTRICAL</b>	Toilet amp draw	2 amp @ 12 V DC; 1 amp @ 24 V DC
	Toilet circuit breaker/fuse	5 amp @ 12 V or 24 V DC
	Vacuum source* draw	6 amps/12 V DC; 3 amps/24 V DC)
	Vacuum source* circuit breaker/fuse	10 amps/12 V DC; 5 amps/24 V DC)
<b>WATER SUPPLY</b>	ID	0.5 in. NPT
	Flow rate	2.0 gpm/7.6 lpm minimum at toilet
<b>DISCHARGE</b>	Hose/PVC pipe ID	1.5 in./38 mm
	Horizontal run**	50 ft./15 m maximum to vacuum source
	Vertical run**	6 ft./1.8 m maximum to vacuum source
<b>REQUIRED COMPONENTS</b>	Electric flush switch †	Dometic VFS or VFP model
	Vacuum source †	VacuFlush vacuum generator, vacuum holding tank, or holding tank system

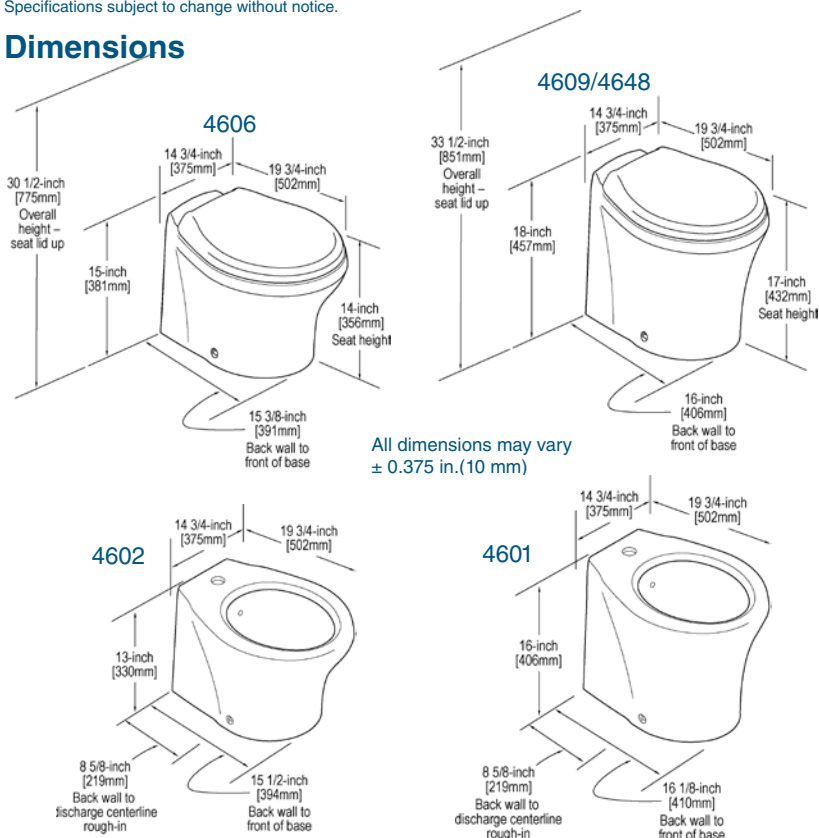
\* Required for J and S series VacuFlush vacuum generators.

\*\* Based on J and S series VacuFlush vacuum generator specifications. Where applicable, see VHT series vacuum holding tank manual for other installation specifications.

† Purchased separately.

Specifications subject to change without notice.

### Dimensions



### VacuFlush Switch Panels



VacuFlush wall-mounted flush switches feature backlit push buttons for easy use, even in low light. The VFS model includes a generic frame, or can be fitted with a Vimar Idea, Vimar Eikon, or Gewiss Chorus frame. The VFP model accommodates a Gewiss Playbus frame.

See page 9 for details.

### Water-saving Flush Settings

To reduce water consumption from 1 US quart (0.95 l) to 1 US pint (0.5 l) per flush, change from "Normal" to "Low" flush option by pressing "flush" switch for about five seconds. When "power on" light begins flashing, release "flush" switch. Flush setting has been changed. Change back to "Normal" setting in the same manner.