

5000 Series VacuFlush® Toilets

Compact Design. Powerful, Efficient Flush.



Model 5009
VacuFlush Toilet

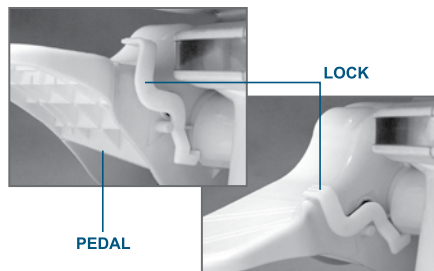
SeaLand 5000 series VacuFlush® toilets deliver many value-added benefits of a vacuum toilet system to a wide range of boat installations.

The clean, odor-free performance of VacuFlush 5000 series toilets is the result of freshwater flushing, instantaneous evacuation of bowl contents, and thorough rinsing action. Using only 0.10 gal. (0.39 liter) per flush, 5000 series toilets greatly extend the use of a holding tank between pump-outs as compared to manual and other electric toilets which consume three or four times more water. An integral water-line check valve provides anti-siphon protection for freshwater systems.

Available in three heights, the 5000 series will accommodate diverse floor plans, including placement on raised platforms. Shallow front-to-back footprint dimensions allow boatowners fit one in virtually any space. All three sizes are available in sparkling white and bone colors.

Pedal Lock

5140 series VacuFlush® toilets include a pedal lock. When installed in a toilet system with a VHT 12, VHT 4500, or VHT 5200 vacuum holding tank, the pedal lock holds the flush ball open to allow positive air pressure into the holding tank during pump-out. This helps assure thorough discharge of the holding tank.



Key Benefits

- Powerful vacuum flush; foot-pedal activated
- Ultra low water consumption – only 0.10 gal. (0.39 liter) per flush
- Small footprint – fits in most any head compartment
- Full-size residential-style wood seat.
- Deep, household-size bowl
- Three heights available – standard, medium and low-profile
- Through-the-floor or through-the-wall discharge options
- 12 V DC or 24 V DC operation (connects to VacuFlush vacuum generator or holding tank system)

Technical Specifications for 5000 Series VacuFlush® Toilets

MODEL	DESCRIPTION	DISCHARGE	WEIGHT**
5006	Low-profile VacuFlush toilet	through the floor*	27 lbs./12.2 kg
5009	Standard-height VacuFlush toilet	through the floor*	28 lbs./12.7 kg
5047	Standard-height VacuFlush toilet	above the floor, right	28 lbs./12.7 kg
5048	Standard-height VacuFlush toilet	above the floor, rear	28 lbs./12.7 kg
5049	Standard-height VacuFlush toilet	above the floor, left	28 lbs./12.7 kg
5146	Medium-height VacuFlush toilet	through the floor*	28 lbs./12.7 kg
5147	Medium-height VacuFlush toilet	above the floor, right	28 lbs./12.7 kg
5148	Medium-height VacuFlush toilet	above the floor, rear	28 lbs./12.7 kg
5149	Medium-height VacuFlush toilet	above the floor, left	28 lbs./12.7 kg

* Hose or pipe discharge connection. All others use hose only.

** Weights may vary ± 2-3 percent.

Specifications subject to change without notice.

5000 Series VacuFlush System Requirements

ELECTRICAL	Vacuum pump* draw	6 amps/12 V DC; 3 amps/24 V DC)
	Vacuum pump* circuit breaker/fuse	10 amps/12 V DC; 5 amps/24 V DC)
WATER SUPPLY	ID	0.5 in. NPT fitting
	Flow rate	2.0 gpm/7.6 lpm at toilet, minimum
DISCHARGE	ID	1.5 in./38 mm ID plumbing
	Horizontal run**	50 ft./15 m maximum to vacuum source
	Vertical run**	6 ft./1.8 m maximum to vacuum source
REQUIRED COMPONENT	Vacuum source †	VacuFlush vacuum generator, vacuum holding tank, or holding tank system

* Required for J and S series VacuFlush vacuum generators.

** Based on J and S series VacuFlush vacuum generator specifications. Where applicable, see VHT series vacuum holding tank manual for other installation specifications.

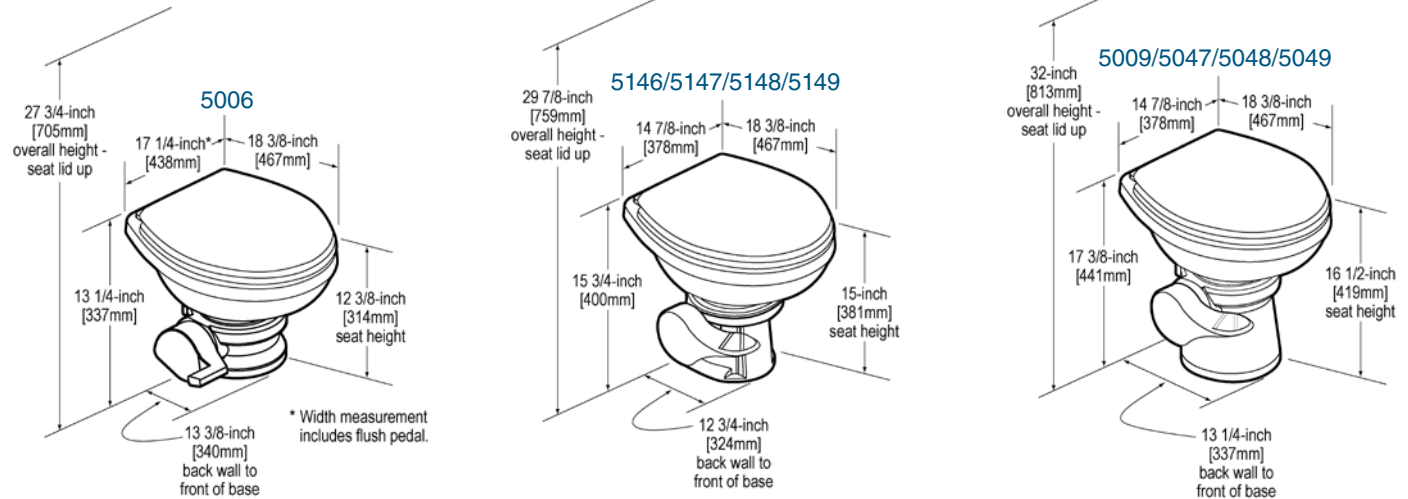
† Purchased separately.

Specifications subject to change without notice.



Model 5147
VacuFlush Toilet

Dimensions



All dimensions may vary
± 0.375 in. (10 mm)

