

# SaniGard™ Holding Tank Vent Filter

## More than 2.4 times better odor adsorption

While newer style vent filters from other manufacturers have been recently developed, none have proven to be more effective at malodorous gas adsorption than the original SeaLand SaniGard™ vent filter. Our finely calibrated filter media remove the source of offensive odors from vent lines over 2.4 times better than the closest rated competitive filter.

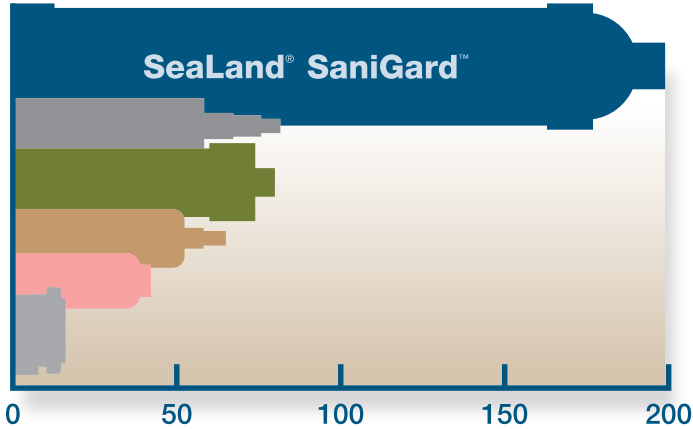


Chart indicates calculated capacity in grams of carbon disulfide that are adsorbed by each laboratory-tested\* vent filter. Based on this data, SeaLand SaniGard vent filters will outlast competitive filters by factors of 2.4 to 12.6 times longer.

\* Vent filter tests conducted by Intertek Group, Chicago, IL, USA.



### For optimum vent filter performance:

- Replace vent filter cartridge at beginning of every boating season.

Do not use “retrofit” kits or other less-effective filters. Dispose of complete expired cartridge and replace with authentic SaniGard vent filter – it’s the safest and surest way to long-lasting odor-free, trouble-free performance.

- Do not overfill holding tank – empty it on a regular basis.

Risk of flooding and deactivating a vent filter exists if holding tank contents enter the vent line. Install SeaLand tank level monitor system to help prevent waste tank overflow.

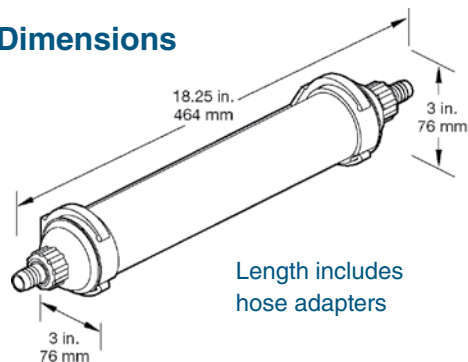
## SeaLand® SaniGard™ Vent Filter Specifications

MODEL	DESCRIPTION	FITTING SIZE *
309310002	Vent filter cartridge, mounting bracket, hardware	5/8 in. - 16 mm
309310001	Vent filter replacement cartridge only	5/8 in. - 16 mm
309310007	Vent filter cartridge, mounting bracket, hardware	3/4 in. - 19 mm
309310005	Vent filter cartridge, mounting bracket, hardware	1 in. - 25 mm
309310006	Vent filter replacement cartridge only	1 in. - 25 mm
309310003	Vent filter cartridge, mounting bracket, hardware	1-1/2 in. - 38 mm
309310004	Vent filter replacement cartridge only	1-1/2 in. - 38 mm

\* Vent hose ID required for installation.  
Specifications subject to change without notice.

**CAUTION** – Do not use SaniGard vent filter for holding tanks with waste that is treated through onboard sewage treatment systems using chlorine or other strong oxidizing agents.

### Dimensions



### Installation Diagram

