



Refrigerators with built-in cooling unit

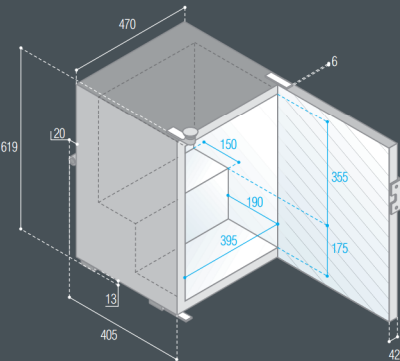


C60i

C60iA

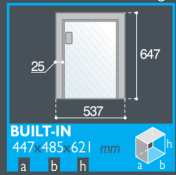
Technical data

Total volume:	60 lt
Freezer compartment:	10,2 lt
Weight:	20 kg
Power supply:	12 / 24 Vdc
Power consumption:	40 W
Current consumption 12 Vdc:	3,38 A

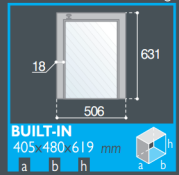


Optional

Door Inside-Flush flange



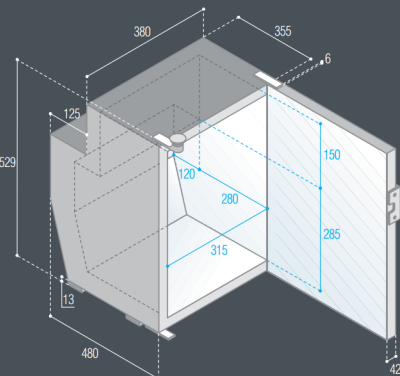
Door Outside-Surface flange



C51i

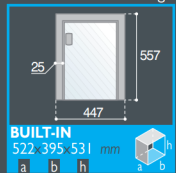
Technical data

Total volume:	51 lt
Freezer compartment:	3,6 lt
Weight:	17 kg
Power supply:	12 / 24 Vdc
Power consumption:	40 W
Current consumption 12 Vdc:	3,38 A



Optional

Door Inside-Flush flange



Door Outside-Surface flange

