

Marine Fuel Filtration

Marine FBO

2

The Racor Marine FBO assembly is specifically designed to meet the filtration requirements of today's high pressure common rail diesel injection systems. The unit is used for fuel dispensing pumps or as a primary fuel filter/water separator on large diesel engine applications.

Racor's new FBO-10-MA and FBO-14-MA filter assemblies were designed to meet the toughest conditions and offer ease of filter changeouts. The FBO assembly can flow from 10 GPM (38 LPM) to 75 GPM (284 LPM), depending on which model, the element, and the type of fuel to be filtered.

The assembly features a "locking ring collar", which attaches the filter housing to the aluminum die cast filter head with four bolts. The slotted "locking ring collar" allows maintenance personnel to hand loosen the four collar bolts, rotate, and lower the bowl assembly for element changeouts.

With a new element installed, simply raise the bowl and rotate into position on the locking ring and hand tighten evenly (evenly torquing the 4 closure bolts to 100 lb-in is highly recommended).

The closure hardware consists of stainless steel nuts, bolts, and washers with metal hand knobs for ease of maintenance. No wrenches or other special tools are required, allowing one person to easily change the filter element (no V-band clamps are used).

Features:

- Standard Differential Pressure Gauge
- Optional Water Sight Glass with Bowl
- Standard Mounting Bracket
- Optional Water Sensor Available



FBO-14



Parker Hannifin Corporation
Racor Division, PO Box 3208
Modesto, CA 95354 USA
Phone: 800.344.3286
Fax: 209.529.3278
E-mail: racor@parker.com
www.parker.com/racor



Marine Fuel Filtration

Marine FBO

Specifications	Maximum Flow Rates			Clean	Change
	Diesel	Gasoline	Kerosene	Delta P	Delta P
FBO-10-MA					
Microfilter	18 GPM (38 LPM)	52.5 GPM (199 LPM)	35 GPM (132 LPM)	< 2 PSID	15 PSID
Filter Separator	10 GPM (38 LPM)	31.5 GPM (119 LPM)	21 GPM (79 LPM)	< 2 PSID	15 PSID
Absorber	10 GPM (38 LPM)	31.5 GPM (119 LPM)	21 GPM (79 LPM)	< 2 PSID	15 PSID
FBO-14-MA					
Microfilter	25 GPM (95 LPM)	75 GPM (284 LPM)	50 GPM (189 LPM)	< 2 PSID	15 PSID
Filter Separator	15 GPM (57 LPM)	45 GPM (170 LPM)	30 GPM (114 LPM)	< 2 PSID	15 PSID
Absorber	15 GPM (57 LPM)	45 GPM (170 LPM)	30 GPM (114 LPM)	< 2 PSID	15 PSID

Element Chart	Micron Rating	FBO-10-MA (6 X 10 Element)	FBO-14-MA (6 X 14 Element)
Filter Separator	1	FBO-60327	FBO-60336
	5	FBO-60328	FBO-60337
	10	FBO-60353	FBO-60356
	25	FBO-60329	FBO-60338
Microfilter	1	FBO-60330	FBO-60339
	5	FBO-60331	FBO-60340
	10	FBO-60356	FBO-60357
	25	FBO-60332	FBO-60341
Absorptive Filter	1	FBO-60333	FBO-60342
	5	FBO-60334	FBO-60343
	10	FBO-60355	FBO-60358
	25	FBO-60335	FBO-60344



RACOR®

Technical Support:
800.344.3286 ext. 7555
racortech@parker.com

Marine Fuel Filtration

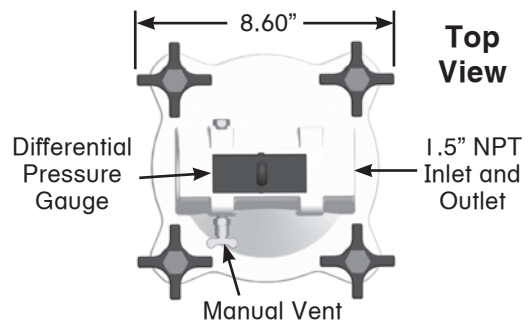
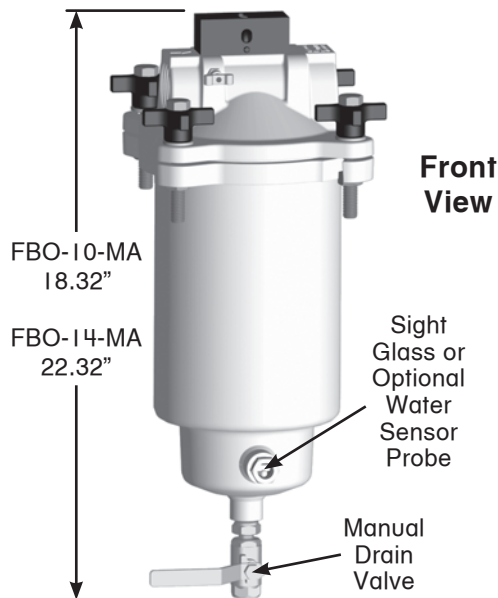
Marine FBO

2

How to Order

FBO	-10	-14	-MA
Basic Unit 1.5" NPT Inlet & Outlet Ports	add -10 For a 6x10 in. element and flow rate of 10-52 GPM	add -14 for a 6x14 in. element and flow rate of 15-75 GPM	add -MA for marine Assembly

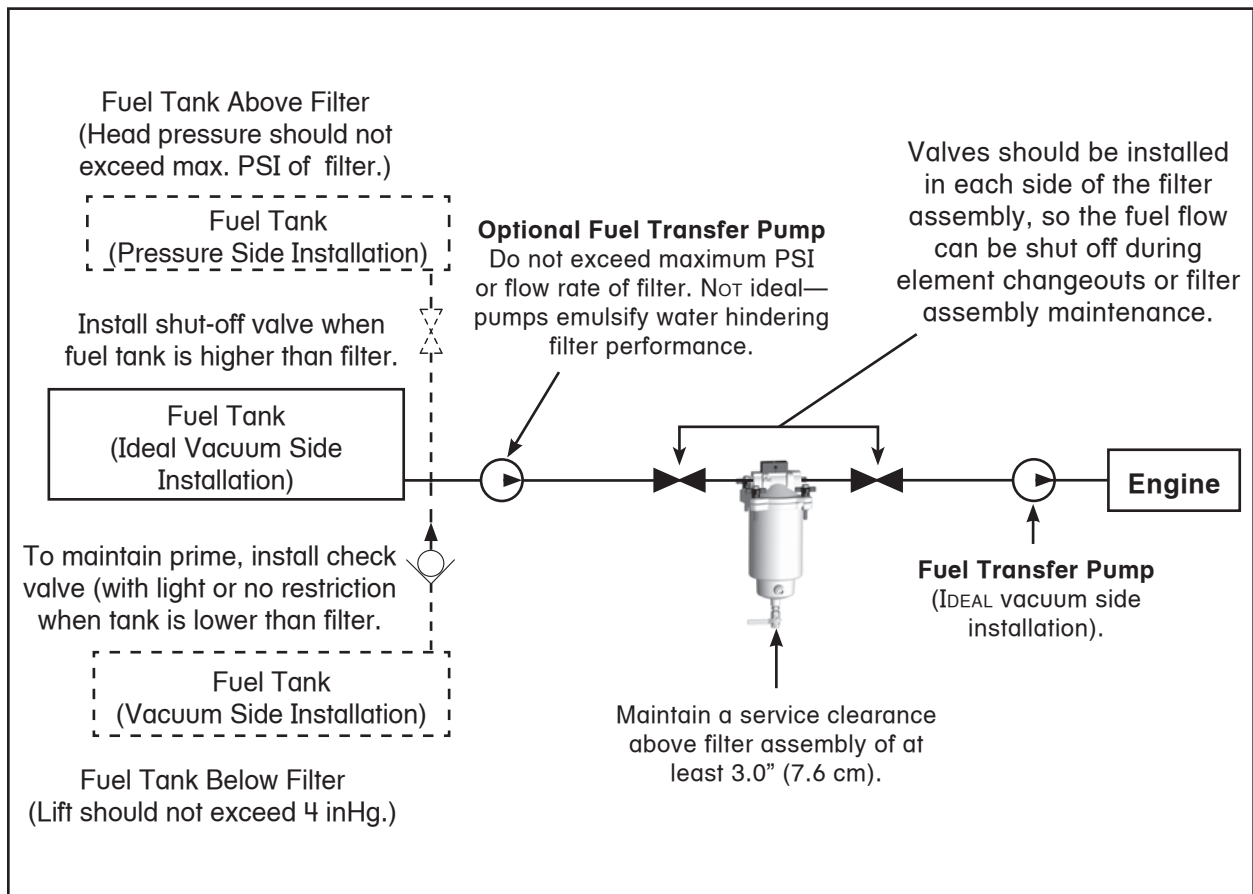
Mounting Information



Marine Fuel Filtration

Marine FBO

Installation Diagram



RACOR

Technical Support:
800.344.3286 ext. 7555
racortech@parker.com

324

Parker

Marine Fuel Filtration

Marine FBO

2

Replacement Parts

FBO-10-MA & FBO-14-MA

	<u>Part Number</u>	<u>Description</u>
1.	72712	Handle Assembly
2.	72695	Pet Cock Assembly
3.	73152	Head Kit (1.5" NPT Ports)
4.	72368	Spring
5.	72699	O-ring
6.	Replacement Elements (see element chart)	
	FBO-10-MA	Use a (6"x10") Element
	FBO-14-MA	Use a (6"x14") Element
7.	73154	FBO-10-MA Housing Assembly
	73155	FBO-14-MA Housing Assembly
8.	72710	Sight Glass Assembly (.5" NPT)
9.	RK21069	Water Sensor
10.	71943-.25	Ball Valve

