

# 8600 Series Macerator Toilets

Bringing style, quality and versatility together



Model 8640  
MasterFlush toilet with  
standard Dometic flush  
touchpad

Rarely does one marine toilet fit a wide array of floor plans with equal ease. With the choice of heights, colors, flush controls and discharge plumbing, the SeaLand 8600 series of MasterFlush® toilets from Dometic now allows boatbuilders to install a fixture of unparalleled performance in virtually any bath.

The contemporary shape features a flat back to accommodate installation against interior walls. 8600 series toilets come in low-profile and standard-height units. Discriminating owners may choose from additional options: toilet or toilet/bidet combination units; white or bone colors.

SeaLand 8600 series macerator toilets offer two flush settings to help manage water use. The "Normal" flush setting consumes 0.67 gal. (2.54 liters) of water and adds water to the bowl after every flush. "Low" flushing uses only 0.17 gal. (0.64 liters) per flush and very little water remains in the bowl.

The ceramic styling of the SeaLand 8600 series matches that of 4600 series VacuFlush® toilets. This advantage provides boat designers the added ability to offer choices in toilet technology across boat model lines without altering the decor or floor plans of the baths.



Toilet/bidet models combine electronic-flush operation with manually controlled, variable temperature bidet wash. Features gentle, aerated water flow.

## Key Benefits

- Powerful macerator flush
- Flat back-style ceramic fixture – fits nicely against interior walls
- Standard and low-profile heights
- Ultra-quiet – integral water trap reduces macerator sound
- Toilet only or toilet/bidet combination
- Through-the-floor and through-the-wall discharge fittings
- "Soft close" seat action
- "Normal" or "Low" flush options
- Dometic electronic touchpad, standard (wall-switch toilet models only)
- Vimar or Gewiss compatible switch, optional (order separately)
- 12 V DC or 24 V DC operation

## Specifications for 8600 Series MasterFlush® Toilets

MODEL	DESCRIPTION	VOLTAGE
8639	Low-profile macerator toilet with touchpad flush control*	12 V or 24 V DC
8649	Low-profile height macerator toilet/bidet combination with touchpad flush control*	12 V or 24 V DC
8640	Standard-height macerator toilet with touchpad flush control*, bottom discharge	12 V or 24 V DC
8689	Standard-height macerator toilet/bidet combination with touchpad flush control*	12 V or 24 V DC

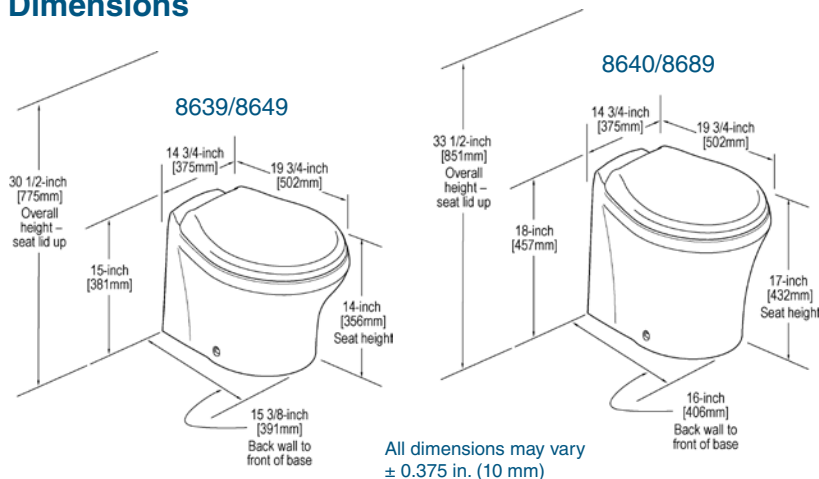
\* DFT touchpad flush switch is included with all models. Optional DFS or DFP flush switch must be ordered separately. Toilet-only fixtures available in white or bone colors. Toilet/bidet models available in white. See price list for all toilet item numbers. Specifications subject to change without notice.

### Minimum System Requirements

ELECTRICAL	Circuit breaker	20 amps/12 V DC; 15 amps/24 V DC
	Wiring	12 ga. (up to 20 ft./6.1 m from breaker)
WATER SUPPLY	Fitting	0.5 in. NPT
	Flow rate	2.0 gpm/7.6 lpm min. at toilet
DISCHARGE	ID	1.5 in./38 mm or 1 in./25 mm minimum
	Horizontal run*	98 ft./30 m maximum
	Vertical run*	9.8 ft./3 m maximum
	Tank capacity	30 gal./114 liters recommended
REQUIRED COMPONENTS	Electric flush switch**	Dometic DFT, DFS or DFP model

\* Horizontal and vertical run distances are not cumulative. Check for adequate discharge flow if installation nears one of these limits.  
 \*\* DFS or DFP model must be purchased separately. Specifications subject to change without notice.

### Dimensions



### Dometic Flush Touchpad



Standard DFT panel includes “add water” and “flush” functions, “power on” and “full tank” indicator lights. Also available in white. Ships with toilet unless specified otherwise.

### Dometic Flush Switches (for Vimar, Gewiss trim)



Optional Dometic flush switch panels feature backlit push buttons for easy use, even in low light.

DFS model includes a generic frame, or can be fitted with a Vimar Idea, Vimar Eikon, or Gewiss Chorus frame.

DFP model accommodates a Gewiss Playbus frame.

DFS or DFP models must be ordered separately from toilet.

See page 13 for Flush Switch details.

### Flush Settings

Change from “Normal” to “Low” flush option by pressing “flush” switch for about five seconds. When “power on” light begins flashing, release “flush” switch. Flush setting has been changed. Change back to “Normal” setting in the same manner.

