

# 4700 Series VacuFlush Toilets

Powerful performance. Premium comfort.



4700 series  
VacuFlush toilet  
with electronic  
flush handle

VacuFlush 4709 toilet  
with VFS flush switch  
(ordered separately;  
see page 11)

Get the water-conserving efficiency of VacuFlush technology in an opulent, residential-scale toilet with SeaLand VacuFlush 4700 series toilets from Dometic. Upscale style and electronic operation perfectly complement today's tastes in motor yacht design and convenience.

With freshwater flushing, instantaneous evacuation of bowl contents, and thorough rinsing action, VacuFlush 4700 series toilets deliver sparkling clean, odor-free performance. Using only 0.33 gal. (1.26 liter) per flush in the "normal" mode or 0.10 gal. (0.39 liter) in the "low" mode, 4700 series toilets greatly extend the use of a holding tank between pump-outs as compared to manual and other electric toilets. In the "low" mode, very little water remains in the toilet after flushing. This prevents splashing water out of the bowl while a boat is underway or in rough seas.

SeaLand VacuFlush 4700 series toilets provide an abundance of features to satisfy diverse owner preferences and boatbuilder requirements. 4700 series toilets come in standard-height units with above-floor or below-floor discharge options. Electronic flushing can be activated by either a residential-style handle or wall-mounted switch. Additional options include a choice of white or bone colors.

## Key Benefits

- Powerful vacuum flush
- Ultra low water consumption in two modes – "normal" flush at 0.33 gal. (1.26 l) or "low" flush at 0.10 gal. (0.39 l)
- VacuFlush wall switch; compatible with popular Vimar and Gewiss frames (not included)
- Flat-back design – fits against bulkheads
- Residential-style wood seat with elongated opening
- Automatic "full tank" shutdown prevents overflowing the holding tank (when connected to tank level indication system)
- Service mode allows cleaning or other service without running water
- 12 V DC or 24 V DC operation

## Technical Specifications for 4700 Series VacuFlush® Toilets

MODEL	DESCRIPTION	DISCHARGE
4709	Standard-height all-ceramic VacuFlush electric toilet	through the floor, 1.5 in./38 mm dia. plumbing, vacuum
4748	Standard-height all-ceramic VacuFlush electric toilet	above the floor, 1.5 in./38 mm dia. plumbing, vacuum

White and bone colors available. 12 V DC and 24 V DC models available. Flush switch must be ordered separately (see page 9). Specifications subject to change without notice.

### 4700 Series VacuFlush System Requirements

<b>ELECTRICAL</b>	Toilet amp draw	2 amp @ 12 V DC; 1 amp @ 24 V DC
	Toilet circuit breaker/fuse	5 amp @ 12 V or 24 V DC
	Vacuum source* draw	6 amps/12 V DC; 3 amps/24 V DC)
	Vacuum source* circuit breaker/fuse	10 amps/12 V DC; 5 amps/24 V DC)
<b>WATER SUPPLY</b>	ID	0.5 in. NPT
	Flow rate	2.5 gpm/9.5 lpm minimum at toilet
<b>DISCHARGE</b>	Hose/PVC pipe ID	1.5 in./38 mm
	Horizontal run**	50 ft./15 m maximum to vacuum source
	Vertical run**	6 ft./1.8 m maximum to vacuum source
<b>REQUIRED COMPONENTS</b>	Electric flush switch †	Dometic VFS or VFP model
	Vacuum source †	VacuFlush vacuum generator, vacuum holding tank, or holding tank system

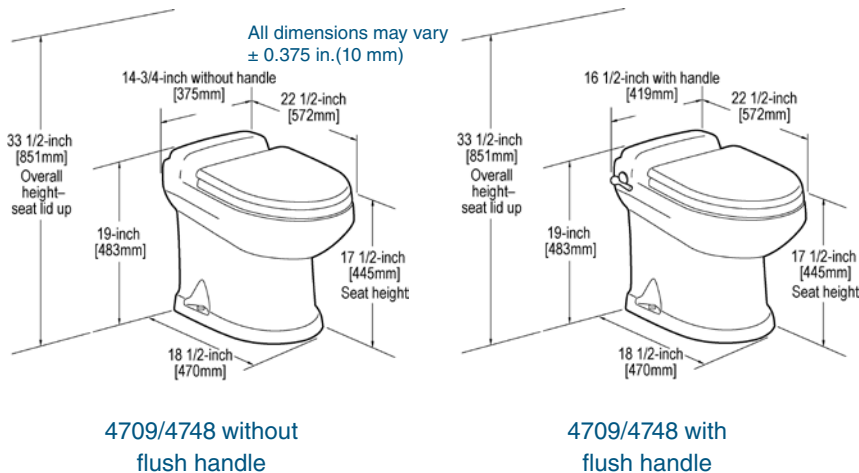
\* Required for J and S series VacuFlush vacuum generators.

\*\* Based on J and S series VacuFlush vacuum generator specifications. Where applicable, see VHT series vacuum holding tank manual for other installation specifications.

† Purchased separately.

Specifications subject to change without notice.

### Dimensions



### VacuFlush Switch Panels



VacuFlush wall-mounted flush switches feature backlit push buttons for easy use, even in low light. The VFS model includes a generic frame, or can be fitted with a Vimar Idea, Vimar Eikon, or Gewiss Chorus frame. The VFP model accommodates a Gewiss Playbus frame.

See page 9 for details.

### Water-saving Flush Settings

To reduce water consumption, change from “Normal” to “Low” flush option by pressing “flush” switch for about five seconds. When “power on” light begins flashing, release “flush” switch. Flush setting has been changed. Change back to “Normal” setting in the same manner.