

# SeaLand® Waste Discharge Pump

Reliable offshore waste tank discharge



T series discharge pump

## T Series Waste Discharge Pump

For premium tank discharge performance, SeaLand T series pumps provide unsurpassed quality and reliability. Unlike impeller-type macerator pumps, the bellow-style T pump can run dry without threat of damage. Drawing only 6 amps at 12V DC.

In waters where overboard discharge of a waste holding tank is permitted, the T pump integrates with Dometic Tank Discharge (DTD) control systems\* for completely automated holding tank discharge.

\* Purchased separately

## T Series Pump Requirements

ELECTRICAL	Power draw (avg.)	6 amps @ 12 V DC; 3 amps @ 24 V DC
	Circuit breaker/fuse*	10 amps @ 12 V DC; 5 amps @ 24 V DC
PLUMBING	ID	1.5 in./38 mm sanitation hose or PVC pipe

\* Requires separate circuit breaker or fuse from other electrical equipment. Specifications subject to change without notice.

## Discharge and Suction Lifts (ft./m)

Discharge	0 / 0	2 / 0.6	4 / 1.2	6 / 1.8	8 / 2.4	10 / 3
Suction	10 / 3	8 / 2.4	6 / 1.8	4 / 1.2	2 / 0.6	0 / 0

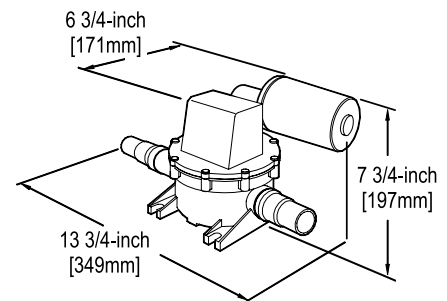
## Discharge Pump Model Specifications

MODEL	DESCRIPTION	WEIGHT*
317301200	12V DC T series discharge pump	7 lbs. / 3.2 kg
317302400	24V DC T series discharge pump	7 lbs. / 3.2 kg
314115012	12V DC SaniSump sump pump	10 lbs. / 4.5 kg
314115024	24V DC SaniSump sump pump	10 lbs. / 4.5 kg

\* Weight may vary ± 2-3 percent. Specifications subject to change without notice.

### Key Benefits

- Produces 300 gph (1136 lph) flow rate
- Runs dry without harm (prevents motor burn-up)
- Self-priming to 10 feet (3.3 m) of water
- Draws only 6 amps at 12V DC



## SaniSump™ Sump Pump

Great for fish box or other small, closed graywater systems. Includes 0.6-gallon (2.3-liter) collection tank.



- Passes solids up to 0.5 in. (13 mm) in diameter
- Delivers 5 gpm (18.9 lpm) flow rate
- No messy screen to clean