

# Marine Fuel Filtration

## In-line Gasoline Series

2

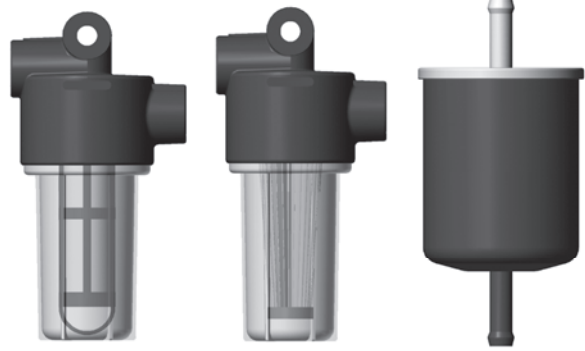
The 025-RAC In-line Gasoline Filter Series keeps your fuel clean and dry, because having grime and water in your fuel spells disaster. More than ever, today's high performance gasoline engines require clean, dry fuel. Standard fuel filters simply succumb from normal usage, and don't offer the improved features, durability and peace-of-mind that comes with Racor fuel filters. Experienced sailors trust their engines, their livelihood, and even their lives to Racor's high quality marine products. Shouldn't you?

### Features and Benefits

- Installs quickly.
- Filters gasoline or gasoline/oil blended fuels.
- Separates water (025-RAC-02 model only).
- Compact design.
- Heavy duty construction.
- Easy to service.

### Applications

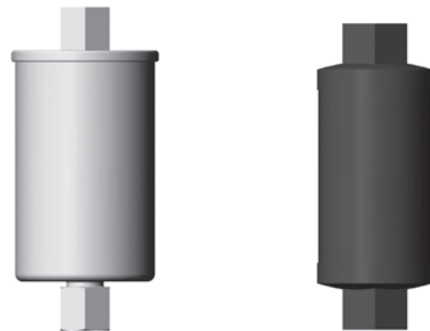
- Small outboard engines.
- Personal watercraft.
- Small gensets.
- Snow machines.
- Lawn mowers.
- Any small gasoline engine.



025-RAC-01

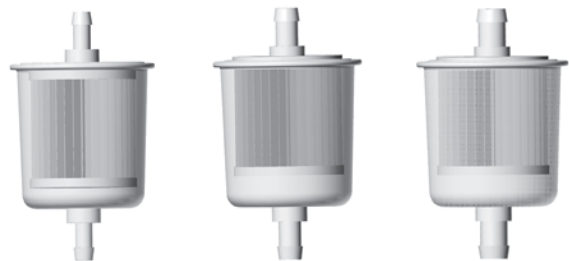
025-RAC-02

025-RAC-05



025-RAC-09

025-RAC-10A



025-RAC-11

025-RAC-12

025-RAC-13

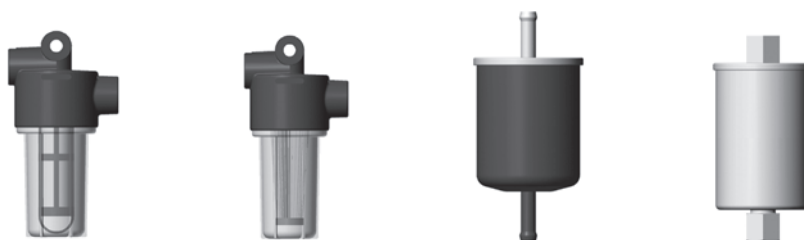


Parker Hannifin Corporation  
Racor Division, PO Box 3208  
Modesto, CA 95354 USA  
Phone: 800.344.3286  
Fax: 209.529.3278  
E-mail: racor@parker.com  
www.parker.com/racor



# Marine Fuel Filtration

## In-line Gasoline Series



Specifications	025-RAC-01	025-RAC-02	025-RAC-05	025-RAC-09
<b>Maximum Flow Rate</b>	25 GPH (95 LPH)	25 GPH (95 LPH)	25 GPH (95 LPH)	35 GPH (132 LPH)
<b>Application</b>	Outboard	Outboard	Inboard	Inboard
<b>Port Size</b>	1/4"-18 NPT	1/4"-18 NPT	5/16" Hose Bead	3/8" NPT
<b>Housing Material</b>	<sup>1</sup> Anodized diecast aluminum head with clear, reusable plastic bowl.	<sup>1</sup> Anodized diecast aluminum head with clear, reusable plastic bowl. Separates water.	All steel with black "E" coating for corrosion resistance.	All stainless steel.
<b>Replacement Element</b>	S2501 (straining element)	S2502 (Aquabloc®II element)	N/A	N/A
<b>Micron Rating</b>	250	10	10	116
<b>Min. Service Clearance</b>	3.0 in. (7.6 cm)	3.0 in. (7.6 cm)	1.0 in. (2.5 cm)	1.0 in. (2.5 cm)
<b>Height</b>	4.3 in. (10.9 cm)	4.3 in. (10.9 cm)	4.8 in. (12.1 cm)	4.5 in. (11.4)
<b>Diameter</b>	2.1 in. (5.3 cm)	2.1 in. (5.3 cm)	2.3 in. (5.7 cm)	2.2 in. (5.6 cm)
<b>Weight (dry)</b>	0.3 lb (0.14 kg)	0.3 lb (0.14 kg)	0.3 lb (0.14 kg)	0.3 lb (0.14 kg)
<b>Max. Working Pressure<sup>2</sup></b>	100 PSI (690 kPa)	100 PSI (690 kPa)	30 PSI (207 kPa)	30 PSI (207 kPa)
<b>H<sub>2</sub>O Removal Efficiency</b>	N/A	99%	N/A	N/A
<b>Case Quantity</b>	6	6	12	6
<b>Operating Temperature</b>	-10° to +180°F (-23° to +82°C)			
<b>Special Notes:</b> <sup>1</sup> Anodizing is a chemical process that provides corrosion resistance. <sup>2</sup> Pressure installations acceptable up to maximum amount shown - vacuum installations recommended.				

**RACOR**®

Technical Support:  
800.344.3286 ext. 7555  
racortech@parker.com

270



# Marine Fuel Filtration

## In-line Gasoline Series

2



Specifications	025-RAC-10A	025-RAC-11	025-RAC-12	025-RAC-13
<b>Maximum Flow Rate</b>	35 GPH (132 LPH)	12 GPH (45 LPH)	12 GPH (45 LPH)	12 GPH (45 LPH)
<b>Application</b>	Inboard	Outboard	Outboard	Outboard
<b>Port Size</b>	½" NPT	¼" Hose Bead	5/16" Hose Bead	3/8" Hose Bead
<b>Housing Material</b>	All steel, painted black.	Plastic	Plastic	Plastic
<b>Replacement Element</b>	N/A	N/A	N/A	N/A
<b>Micron Rating</b>	104	12	12	12
<b>Min. Service Clearance</b>	1.0 in. (2.5 cm)	1.0 in. (2.5 cm)	1.0 in. (2.5 cm)	1.0 in. (2.5 cm)
<b>Height</b>	4.2 in. (10.7 cm)	3.5 in. (8.9 cm)	3.5 in. (8.9 cm)	3.5 in. (8.9 cm)
<b>Diameter</b>	1.9 in. (4.8 cm)	2.1 in. (5.3 cm)	2.1 in. (5.3 cm)	2.1 in. (5.3 cm)
<b>Weight (dry)</b>	0.6 lb (0.27 kg)	0.1 lb (0.05 kg)	0.1 lb (0.05 kg)	0.1 lb (0.05 kg)
<b>Max. Working Pressure<sup>1</sup></b>	100 PSI (690 kPa)	10 PSI (69 kPa)	10 PSI (69 kPa)	10 lb (69 kPa)
<b>H<sub>2</sub>O Removal Efficiency</b>	N/A	N/A	N/A	N/A
<b>Case Quantity</b>	6	1	1	1
<b>Operating Temperature</b>	-10° to +180°F (-23° to +82°C)			
<b>Special Notes:</b> <sup>2</sup> Pressure installations acceptable up to maximum amount shown - vacuum installations recommended.				

# Marine Fuel Filtration

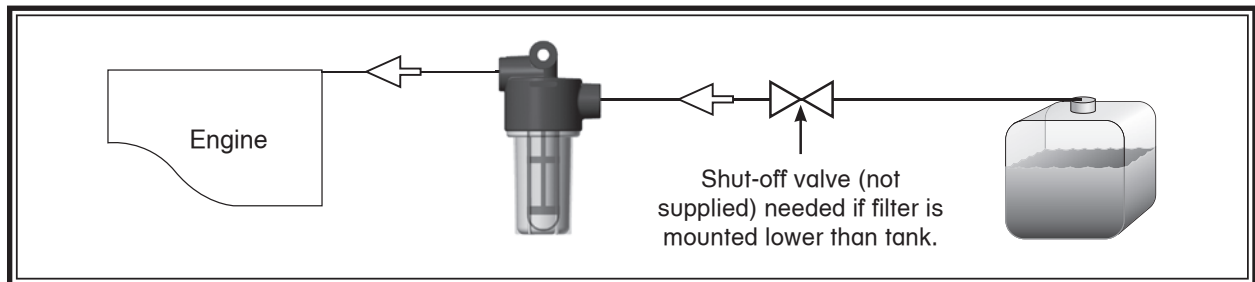
## In-line Gasoline Series

### How to Order

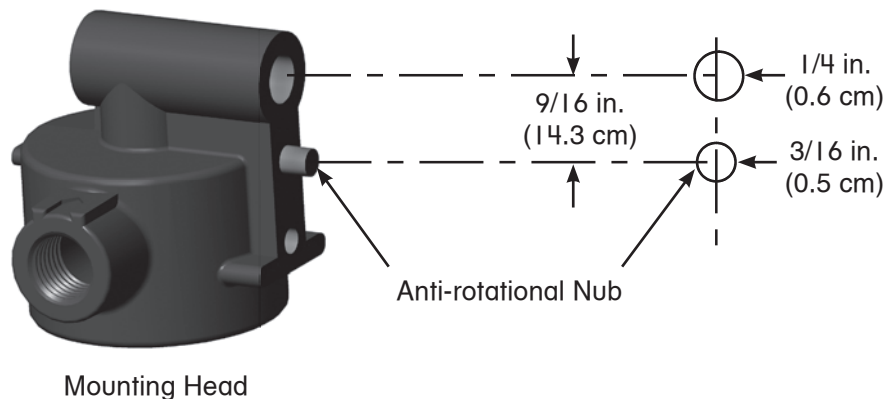
(The example below illustrates how a part number is constructed).

025-RAC	-02
<b>025-RAC</b> (Basic Model Number)	Specify a Micron Rating: <b>-01</b> (for 250 micron) or <b>-02</b> (for 10 micron)
Warning! For outboard engines, personal watercraft and other applications, do not use this filter with inboard engines or stern drive boats; use Racor U.L. listed marine filters.	

### Mounting Instructions



### Mounting Bolt Pattern



**RACOR**

Technical Support:  
800.344.3286 ext. 7555  
racortech@parker.com

272

**Parker**

# Marine Fuel Filtration

## In-line Gasoline Series

2

### Replacement Parts

#### 025-RAC-01 and 025-RAC-02

Part No.	Description
1. <b>RK31390-05-03</b>	Mounting Head Kit ( $\frac{1}{4}$ "-18 NPT Ports) (includes #4)

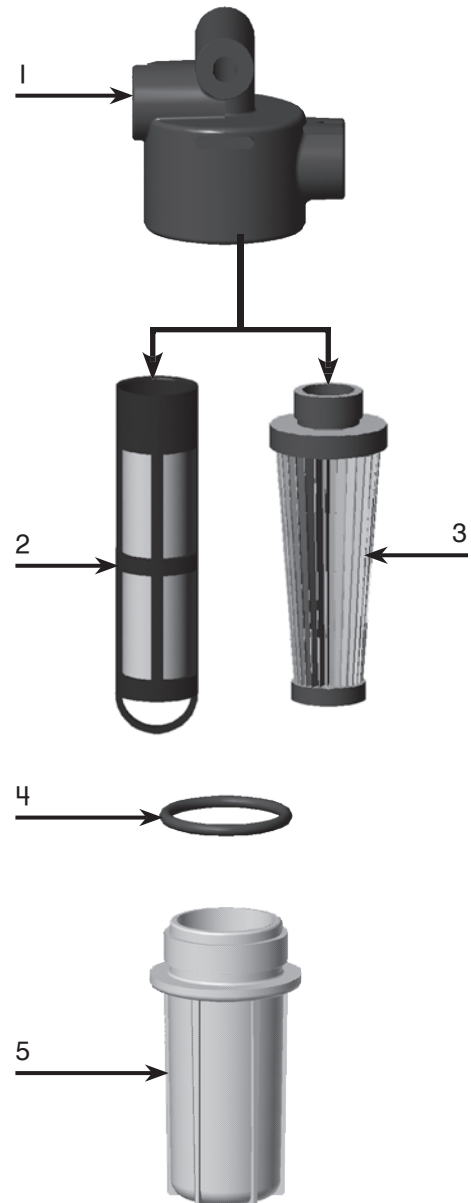
#### Replacement Elements (includes #4)

2. <b>S2501</b>	250 micron
3. <b>S2502</b>	10 micron
4. <b>31213</b>	Bowl O-ring
5. <b>RK31391</b>	Clear Bowl Kit (includes #4)

#### Note:

**025-RAC-05, 025-RAC-09, 025-RAC-10A  
025-RAC-11, 025-RAC-12, and 025-RAC-13**

No replacement parts available. Order complete assembly for replacement.



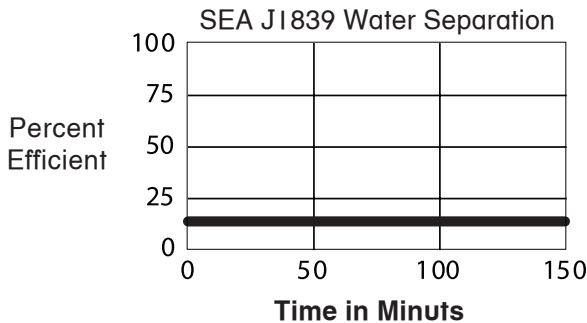
# Marine Fuel Filtration

## In-line Gasoline Series

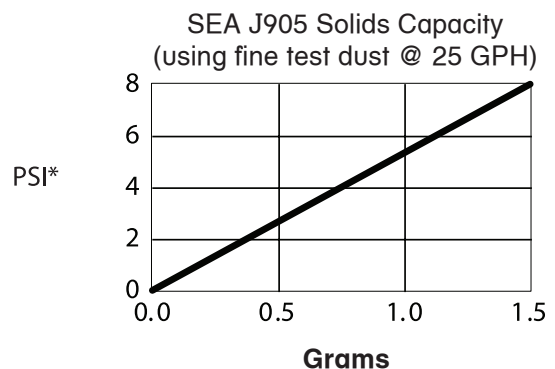
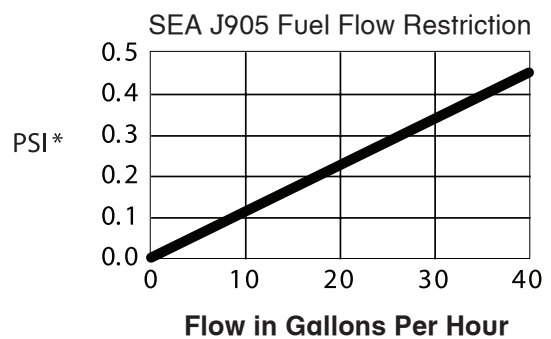
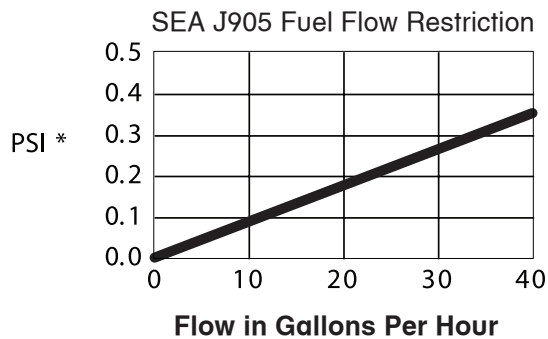
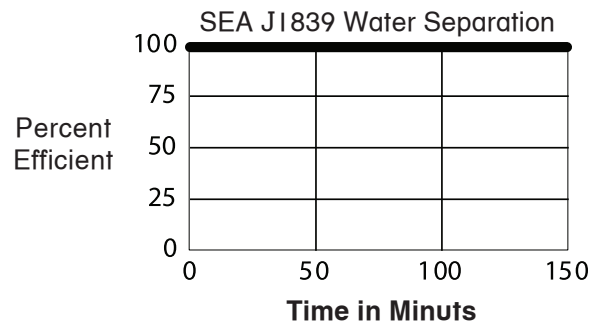
### Test Data

Test data not available for all assemblies.

#### 025-RAC-01 only



#### 025-RAC-02 only



(PSI X 2.036 = inHg) (PSI X 6.895 = kPa)

Test results are from controlled laboratory testing. Field results may vary.

**RACOR**

Technical Support:  
800.344.3286 ext. 7555  
racortech@parker.com

