



Available also in black or white version



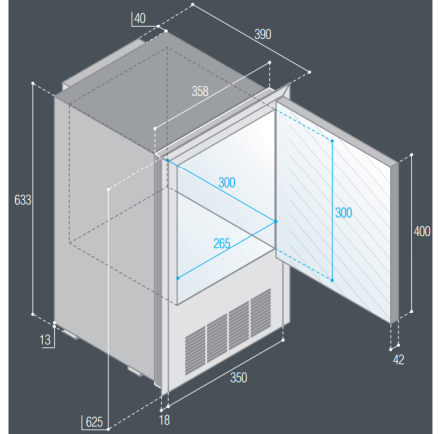
White version Flush flange



## IM CLASSIC HYDRO

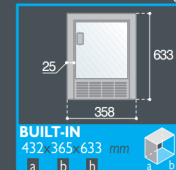
### Technical data

Total volume:	24 lt
Weight:	26 kg
Power supply:	230 Vac 50 Hz
Power consumption:	140 W
Current consumption 12 Vdc:	0,90 A



### Optional

#### Door Inside-Flush flange

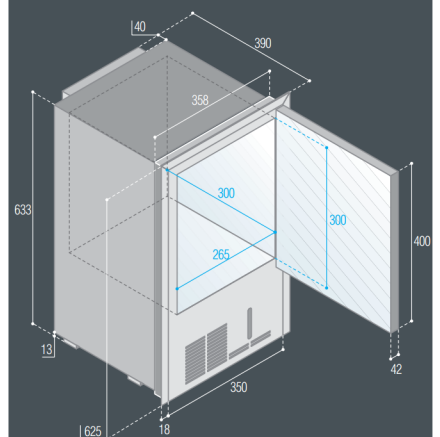


**BUILT-IN**  
432-365-633 mm  
a b h

## IM CLASSIC REFILL

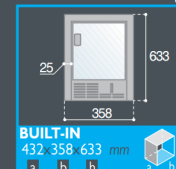
### Technical data

Total volume:	24 lt
Weight:	26 kg
Power supply:	230 Vac 50 Hz
Power consumption:	140 W
Current consumption 12 Vdc:	0,90 A



### Optional

#### Door Inside-Flush flange



**BUILT-IN**  
432-358-633 mm  
a b h



Available also in black or white version



Black version Surface flange

