

AT-DC Series Air Handlers

Compact Units With DC "WhisperCool" Blowers



The AT-DC series of chilled water air handlers represents the new standard in marine HVAC engineering that you'll barely notice. Thanks to "WhisperCool" technology, the AT-DC series harnesses engineering refinements to eliminate the annoying "motor hum" heard from ordinary air handlers operating at very low fan speeds. Incoming alternating current is converted to drive a brushless DC internal blower motor, resulting in super-quiet and highly-efficient performance across all fan speeds.

Additional design changes in the air handlers eliminate condensate drain problems, reduce dripping condensation and standing water issues. An improved coil enhances cooling and dehumidification performance. The redesigned unit also creates easily accessible water-pressure test points for troubleshooting and maintenance.

All Marine Air air handlers use corrosion-resistant materials. They feature "positive-flow" drain pans with anti-slosh foam lining and are fully insulated against secondary condensation. Electric heat is optional.

Key Benefits

- DC "WhisperCool" blowers are extremely quiet yet powerful enough to overcome high-static-pressure duct
- Improved cooling and dehumidification
- Drain pan has anti-slosh, anti-fungal foam lining
- Vibration-isolation mounts reduce noise and vibration.
- Exposed components are insulated against secondary condensation
- Remote air bleeder on 6 ft. (1.8 m) of flexible tubing with ball valve
- Electrical box can be remotely mounted up to 6 ft. (1.8 m)
- Rotatable blowers
- Optional flow control automatically balances circulated water throughout the system
- Optional Electric Heat
- Optional Breathe Easy™ microparticle air filter

Specifications for AT-DC Series Air Handlers

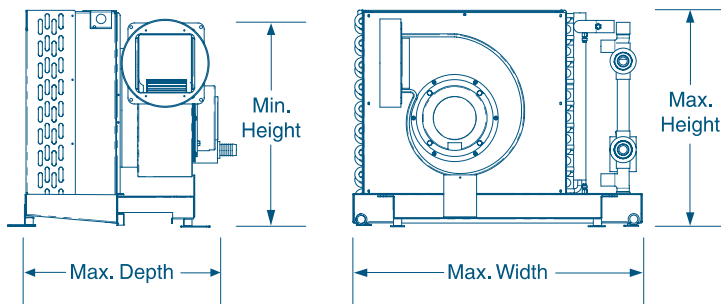
| Model ⁽¹⁾ | AT6DC | AT9DC | AT12DC | AT18DC | AT24DC | AT36DC |
|--|-----------|-----------|-----------|-----------|-----------|-----------|
| Nominal Capacity - Cool (BTU/h) | 6000 | 9000 | 12000 | 18000 | 24000 | 36000 |
| Nominal Capacity - Heat (BTU/h) | 3412 | 3412 | 5118 | 5118 | 10236 | 10236 |
| Voltage @ 50/60Hz 1-Ph (V) | 230 | 230 | 230 | 230 | 230 | 230 |
| Full Load Amps (FLA) Cool (A) ⁽²⁾ | 1.4 | 1.4 | 3.2 | 3.9 | 3.9 | 3.9 |
| Full Load Amps (FLA) Blower (A) | 1.4 | 1.4 | 3.2 | 3.9 | 3.9 | 3.9 |
| Optional Electric Heat (kW) | 1 | 1 | 1.5 | 1.5 | 3 | 3 |
| Heater Amps (A) | 4.3 | 4.3 | 6.5 | 6.5 | 13 | 13 |
| Max. Circuit Breaker (A) | 5 | 5 | 5 | 5 | 5 | 5 |
| Min. Circuit Ampacity (A) | 2 | 2 | 4 | 5 | 5 | 5 |
| Water Flow (gpm/lpm) | 1.5/5.7 | 2.25/8.6 | 3/11.4 | 4.5/17.1 | 6/22.8 | 9/34.1 |
| Air Flow (cfm/m ³ h) | 200/340 | 300/510 | 400/680 | 600/1020 | 700/1190 | 800/1360 |
| External Static Pressure ⁽³⁾ | 2.9/722.1 | 2.8/697.2 | 2.6/647.4 | 2.1/522.9 | 1.4/348.6 | 0.5/124.5 |
| Min. Height (in/mm) ⁽³⁾ | 11.08/282 | 11.79/300 | 12.05/307 | 14.83/377 | 16.7/425 | 16.74/426 |
| Max. Height (in/mm) ⁽³⁾ | 13.63/347 | 13.73/349 | 13.94/355 | 16.94/431 | 16.7/425 | 19.74/502 |
| Max. Width (in/mm) ⁽³⁾ | 14.81/377 | 16.48/419 | 18.75/477 | 20.08/511 | 22.48/571 | 26.41/671 |
| Max. Depth (in/mm) ⁽³⁾ | 14.27/363 | 14.55/370 | 14.49/369 | 14.83/377 | 16.42/418 | 17.15/436 |
| Drain Connection Size (in) | ½ | ½ | ½ | ½ | ½ | ½ |
| Drain Connection Type | FPT | FPT | FPT | FPT | FPT | FPT |
| Chilled Water Connection Size (in) | ½ | ½ | ½ | ½ | ½ | ½ |
| Chilled Water Connection Type | FPT | FPT | FPT | FPT | FPT | FPT |
| Min. Supply Duct Size (in/mm) | 5/127 | 6/153 | 6/153 | 7/178 | 8/204 | 8/204 |
| Min. Supply Air Grille Size (sq in/sq cm) | 35/226 | 49/317 | 70/452 | 100/646 | 140/904 | 196/1265 |
| Min. Return Air Grille Size (sq in/sq cm) | 70/452 | 98/633 | 130/839 | 200/1291 | 240/1549 | 360/2323 |
| Height-Electrical Box (in/mm) | 8/204 | 8/204 | 8/204 | 8/204 | 8/204 | 8/204 |
| Width-Electrical Box (in/mm) | 6.13/156 | 6.13/156 | 6.13/156 | 6.13/156 | 6.13/156 | 6.13/156 |
| Depth-Electrical Box (in/mm) | 2/51 | 2/51 | 2/51 | 2/51 | 2/51 | 2/51 |

¹ 'Z' indicates 230V. Add '-FC' for optional flow control; add '-LX' or '-RX' for valve position (relative to the blower side of the coil) and angle of the blower ('-R0' is the default); add '#KW' for amount of optional electric heat in kilowatts.

² Blower amps will be reduced at lower speed/cfm or higher static pressure. Amps listed are at free air.

³ All dimensions ± 0.30 in. (8 mm).

Dimensions



DOMETIC MARINE DIVISION

2000 N. Andrews Ave. Ext. | Pompano Beach, FL 33069 USA | Tel. 954-973-2477 | Fax: 954-979-4414
www.Dometic.com/Marine | MarineSales@DometicUSA.com

24/7 TECH SUPPORT FOR UNITED STATES & CANADA:

8:00 AM to 5:00 PM Eastern Time: 800-542-2477
After hours and weekends: 888-440-4494

INTERNATIONAL SALES & SERVICES

Europe & the Middle East: Call +44(0)870-330-6101

For all other areas visit our website to find your nearest distributor.

L-2426A Rev. 20120824

Specifications and availability subject to change without notice.

Dealer

