

- / Portable Fridge/Freezers
- / Refrigerators
- / Mobile Kitchen

# FOOD BEVERAGES



# FOOD & DRINK





# COOLING ON THE MOVE

## Portable fridge/freezers for mobile use

We employ three different refrigeration technologies to help you keep your provisions fresh and cool throughout the cruise. Check out Europe's most extensive range of fridge/freezers for mobile use! No cooling system can handle every task, so whether you're better off with a compressor powered, a thermoelectric or passive cooling appliance depends entirely on how and where you intend to use your mobile fridge.

Compressor fridge/freezers are very powerful and can provide an excellent cooling performance, even at extremely high ambient temperatures. Thermoelectric coolers are lightweight and not only cool – they can heat too! Absorption coolers operate on gas power and work wherever you are, independently of the availability of electricity.



01



02

### 1. Compressor

Powered coolers provide excellent cooling performance, even at ambient temperatures and with minimal power consumption.

### 2. Thermoelectric

Thermoelectric coolers provide active cooling up to 27 °C below the ambient temperature (depending on the model). They can be used for refrigeration as well as for keeping food warm. They are lightweight and easy to transport.

### 3. Passive

Well insulated and packed with ice cubes or ice packs, our passive coolers keep your food and beverages cold for up to several days without requiring any external power supply.



03

# CFX3 PORTABLE FRIDGE/FREEZER

With the Dometic CFX3, you have control of your outdoor experiences like never before. On-road and off-road, in the backyard and on the water, your ordinary and extraordinary adventures will be fueled by fresher, safer food, less waste and more confidence, giving you the power to be present in any moment.



## FEATURES



### User-friendly interface

Weatherproof high-resolution user interface displays operating status.



### Convenient CFX3 App

Temperature control and performance monitoring via CFX3 app.



### Rugged construction

ExoFrame construction protects the unit from damage.



### Flexible power options

Powered by AC and DC battery.



### Efficient power consumption

Optimised VMSO<sup>3</sup> compressor cooling technology.



### Easy to carry

Strong aluminium alloy carry handles.



### Dometic CFX3 25

Portable fridge or freezer, 25 l

- Power Consumption: 0.92 Ah/h\*
- Compatible with quick release fixing kit
- Holds 33 Cans (375ml)

Dimensions (W x D x H) mm: 342 x 569 x 420

Weight (kg): 13.4



### Dometic CFX3 35

Portable fridge or freezer, 36 l

- Power consumption: 0.98 Ah/h\*
- Holds 50 Cans (375 ml)

Dimensions (W x D x H) mm: 398 x 694 x 407

Weight (kg): 17.7



### Dometic CFX3 45

Portable fridge or freezer, 46 l

- Power Consumption: 1.03Ah/h\*
- Holds 67 Cans (375ml)

Dimensions (W x D x H) mm: 398 x 694 x 476

Weight (kg): 19.4



### Dometic CFX3 55

Portable fridge or freezer, 55 l

- Power Consumption 1.10Ah/h\*
- Holds 85 Cans (375ml)

Dimensions (W x D x H) mm: 720 x 455 x 480

Weight (kg): 21.2



### Dometic CFX3 55IM

Portable fridge or freezer, 53 l

- Power Consumption 1.20Ah/h\*\*
- Holds 83 Cans (375ml)

Dimensions (W x D x H) mm: 720 x 455 x 480

Weight (kg): 22.1



### Dometic CFX3 75DZ

Portable fridge and freezer, 75 l

- Power Consumption 3.04Ah/h\*\*\*
- Holds 113 Cans (68/45) (375ml)

Dimensions (W x D x H) mm: 892 x 495 x 472

Weight (kg): 28.6



### Dometic CFX3 95DZ

Portable fridge and freezer, 94 l

- Power Consumption 3.57Ah/h\*\*\*
- Holds 133 Cans (81/52) (375ml)

Dimensions (W x D x H) mm: 962 x 530 x 472

Weight (kg): 30.6



**reddot award 2019**  
winner

\*@12 V, 4°C set, 32°C ambient, Bluetooth on, WiFi off

\*\*@12 V, 4°C set, 32°C ambient, ice maker on/maintenance, Bluetooth on, WiFi off

\*\*\*@12 V, 4°C (large), -15°C (small), 32°C ambient, Bluetooth on, WiFi off

# DOMETIC PLB40

## MAINTAIN POWER AFTER IT'S GONE

This market-leading battery system is the utilising cutting-edge technology which is a result of years of research and development. The Dometic PLB40 has powerful, integrated Lithium Iron Phosphate (LiFePO4) battery cells, providing an energy supply of 512 Wh. Ideal for powered coolers and other 12 V appliances while on adventures, the PLB40 provides up to 40 hours of cooling time for a Dometic CFX 40W on a single charge.

The integrated DC-DC charger offers three convenient ways to charge via: the boat 12 V socket, solar panel, or AC power. The battery's integrated battery management system protects the PLB40 from under-voltage, over-voltage, short circuiting and overheating for optimum charge time, performance, and storage. With this power management system, the Dometic PLB40 has a cycle of life which is up to five times longer than more commonly used lead-acid batteries.



### Dometic PLB40

Portable lithium battery, 40 Ah

The Dometic PLB40 Ah Lithium Iron Phosphate battery delivers high levels of mobile power – up to 40 hours of Dometic CFX 40W cooling on a single charge. Designed for powering powered coolers and other 12 V appliances while being off-grid. Thanks to its lightweight and compact design you can enjoy true independence and travel off-grid for longer.

- Enables you to travel off-grid for longer
- Three-way charging via 12 V socket, solar panel or AC house power
- Extremely lightweight, ergonomically designed stainless steel carry-handle
- Built-in LCD screen displays: capacity, charging status and output
- Specifically designed for Dometic CFX and other powered coolers
- Powerful battery cells provide 512 Wh of energy, 40 Ah
- Can power a Dometic CFX 40W cooler for up to 40 hours on a single charge

Ref. No: 9600009460



#### 1. High capacity

Lithium iron phosphate (LiFePo4) battery provides 40 Ah or 512 Wh of power in a small package



#### 2. Versatile charging

Charge with a boat's 12 V DC cigarette outlet, solar panel, or included wall charger



#### 3. Multiple power outputs

Power 12 V accessories, Dometic powered coolers, or small electronics



ICEBOXES IN HEAVY DUTY DESIGN

# COOL-ICE CI

Cool-Ice CI series iceboxes come in six different sizes, from 43 to 111 litres. Their spacious interior is well organised by a modular storage system consisting of wire baskets and dividers.

Dometic iceboxes feature an extremely effective insulation system. Fitted with ice packs or ice cubes, they can keep groceries, fish, bait and wild game fresh for several days.

- Thick insulation and unique sealing design means ice lasts longer
- Hygienic and easy to clean with large diameter drain plug
- Lightweight and easy to carry with strong ergonomic handles
- Integrated polyethylene feet and robust tethering points
- Practical tie down points below handles and fully integrated hinges



## Dometic Cool-Ice CI 42

Insulation box, 43L  
White / Ref. No: 9600000541



## Dometic Cool-Ice CI 55

Insulation box, 56L  
Ref. No: 9600000542



## Dometic Cool-Ice CI 70

Insulation box, 71L  
Ref. No: 9600000543



## Dometic Cool-Ice CI 85

Insulation box, 87L  
Ref. No: 9600000544



## Dometic Cool-Ice CI 85W

Insulation box, 86L  
Ref. No: 9600000545



## Dometic Cool-Ice CI 110

Insulation box, 111L  
Ref. No: 9600000546

# COOL-ICE CI ACCESSORIES



## Dometic CI-DRH

Drink holder for CI iceboxes

Re. No: 9108400902



## Dometic CI-DRH

Rod holder for CI iceboxes

Re. No: 9108400903



## Dometic CI-BOP

Bottle opener for CI iceboxes

Re. No: 9108400904



## Dometic CI-DRHBRK

Bracket for CI iceboxes

Re. No: 9108400901



## Dometic CI-SC

Seat cushion for CI iceboxes

Ref. No: See Page 103



## Dometic CI-DIVL

Divider for CI iceboxes

Ref. No: 9108400898  
Divider for CI-42: 9108400897



## Dometic CI-BSK

Baskets for CI iceboxes

Ref. No: 9108400900  
Basket for CI-42: 9108400899



## Dometic CI-SK

Strap kit for CI iceboxes

Ref. No: 9108400905

# COOL-ICE ICE BOXES

These highly efficient and lightweight iceboxes can keep ice for several days. With their refrigeration grade foam insulation and labyrinth seal design, you can take ice cold refreshments with you – wherever you're going!

## Benefits with Cool Ice Iceboxes

- Insulation and unique labyrinth seal design means ice lasts longer
- Hygienic and easy to clean with large diameter drain plug
- Optimised volume/weight ratio
- Strong, seamless, food grade polyethylene construction
- Durable, integrated hinges with stainless steel rods, strong rubber latches and stainless steel fixing screws



MODEL	DOMETIC COOL ICE CI 15 Rotomoulded icebox	DOMETIC COOL ICE CI 28 Rotomoulded icebox
SKU	9620008810	9620008812
Storage capacity (l)	15	28
Handle type	Carry strap and integrated side handles	Carry strap and integrated side handles
	Accessory dock and easy carry points on side.	Accessory dock and easy carry points on side. Fits large bottles upright. Crisper basket to keep items out of ice.
Dimensions W x D x H	450 x 303 x 303 mm	450 x 375 x 425
Net Weight (kg)	4.3	6.3
Additional Included		Storage basket x 1

# NRX COMPRESSOR REFRIGERATOR SERIES

The NRX range is an energy efficient cooling solution with the versatility to be used as a fridge, freezer, or both. Three different operating modes are controlled by a powerful compressor. Eco, Boost (for quick cool-down) and Silent can be selected from the touch control panel.

The NRX-S door incorporates a stainless steel 316 fully-flush front panel and a convenient full-width handle. The NRX interior includes removable freezer compartment, multiple shelves, two crispers, plus a bottle holder and door shelf/shelves.

3-IN-1  
SOLUTION

SUPERIOR ENERGY  
EFFICIENCY

FLUSH PANEL  
DOOR DESIGN



# OUR MOST EFFICIENT COMPRESSOR REFRIGERATOR EVER

Fresh design, superior energy efficiency: the smart compressor-cooled NRX refrigerators provides plenty of cool storage. Their elegant frameless door, incorporating a Stainless Steel 316 front panel and a convenient full-width handle, opens to a versatile interior. You can easily remove the the freezer compartment to use the full cabinet capacity for refrigeration or deep-freezing.

Up to 25% more efficient than comparable refrigerators. Efficiency brings sustainability, reduces energy consumptions and onboard energy requirements

## Benefits with NRX Series

- Energy-efficient high-end compressor with 3 operating modes (Eco/Performance/Silent)
- Frameless door with Stainless Steel 316 front panel and full-width handle
- Beveled rear side for maximal utilisation of space on board
- Reversible door hinge – can be fitted left or right as required
- Dual function locks can also act as vents for your fridge
- Universal Standard/flush-mount installation frame available as accessory
- 3-in-1 cooling solution: fridge, freezer or both at the same time

## Specifications

<b>REFRIGERATION TECHNOLOGY</b>	Compressor
<b>REFRIGERANT TYPE</b>	R134a
<b>TEMPERATURE RANGE</b>	15°C to 0°C Fridge -5°C to -15°C Freezer
<b>INPUT VOLTAGE</b>	12/24 V DC - 100-240V AC
<b>INCLUDED</b>	Refrigerator x 1 Drain Elbow x 1

From 0.22kw  
per 24 Hour



### 1. Compact, light & efficient compressor

Offering unparalleled energy efficiency and installation capabilities



### 2. Full-width door handle

Neatly integrated for easy access from every angle



### 3. Touch control panel

Flush-mounted inside the cabinet, with integrated LED light bar



### 4. Removable freezer

The freezer compartment can easily be removed to make room for more fridge storage



### 5. Two crispers

For storing fruits and vegetables at the optimal temperature



### 6. Well equipped interior

Freezer, shelves, bottle holder, door tray, crispers – it's all there!

**FOOD & BEVERAGE**  
**REFRIGERATORS**



TECHNICAL DATA MODEL	NRX50	NRX60	NRX80	NRX115	NRX130
<b>S - Series SKU (Stainless Steel 316 Door)</b>	9620001855	9620001858	9620001856	9620001860	9620001859
<b>Height (mm / in)</b>	525 (20.7)	525 (20.7)	625 (24.6)	745 (29.3)	812 (32.0)
<b>Width (mm / in)</b>	380 (15.0)	448 (17.6)	475 (18.7)	525 (20.7)	525 (20.7)
<b>Depth (mm / in)</b>	510 (20.1)	537 (21.1)	537 (21.1)	568 (22.4)	568 (22.4)
<b>Weight (kg / lb)</b>	17 (37.5)	17 (37.5)	20 (44.1)	25 (55.1)	26 (61.7)
<b>Capacity</b>					
– Total capacity (ltrs / cu ft)	44.0 (1.6)	55.0 (1.95)	75.0 (2.65)	113.0 (4.0)	126.0 (4.5)
– Total capacity (ltrs / cu ft) (freezer compartment removed)	46.0 (1.63)	58.0 (2.05)	78.0 (2.75)	116.0 (4.1)	130.0 (4.6)
– Refrigerator compartment (ltrs / cu ft)	39.6 (1.4)	48.9 (1.73)	68.4 (2.42)	104.5 (3.69)	118.0 (4.17)
– Freezer compartment (ltrs / cu ft)	4.4 (0.16)	6.1 (0.22)	6.6 (0.25)	8.2 (0.29)	8.2 (0.29)
<b>Connection voltage</b>	12/24 V DC - 100-240V AC (AU plug fitted)				
<b>Supply battery protection (12 V)</b>					
– Cut-off voltage	10.4 V				
– Cut-in voltage	11.7 V				
<b>Supply battery protection (24 V)</b>					
– Cut-off voltage	22.8 V				
– Cut-in voltage	24.2 V				
<b>Climate class</b>	T				
<b>Storage temperature range:</b>					
– Refrigerator	0°C to +12 °C (32°F to 54°F)				
– Freezer compartment	–15 °C to –5 °C (5°F to 23°F)				
– Freezer mode	–6 °C (21.2°F)				
<b>Intended ambient temperature use</b>	+16 °C to +43 °C (60°F to 110°F)				
<b>Refrigerant</b>	R134a				
<b>Refrigerant quantity</b>	26 g	30 g	32 g	40 g	40 g
<b>CO2 equivalent</b>	0.037 t	0.043 t	0.046 t	0.057 t	0.057 t
<b>Global warming potential (GWP)</b>	1430				
<b>Noise emission (EN60704)</b>	40 – 45dB(A)				
<b>Energy consumption KWh/24h (at 32°C)</b>	0.2222	0.2335	0.3036	0.3671	0.3729
<b>Energy consumption Ah/h (at 32°C) at 12 V (24h period)</b>	0.77	0.81	1.05	1.27	1.29

# UNIVERSAL FLUSH MOUNT FRAME

Offered as an optional extra to simplify installations, the SS316 universal mounting frame is adaptable to both Standard protruding and flush mount positions.



FOOD & BEVERAGE

HYGIENE & SANITATION

POWER & CONTROL

CLIMATE

SAFETY & SECURITY

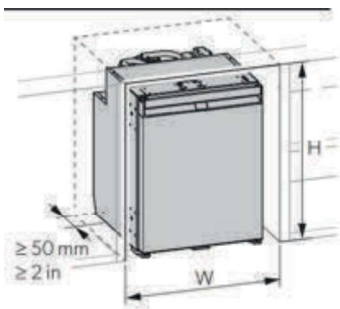
TECHNICAL SPECIFICATIONS

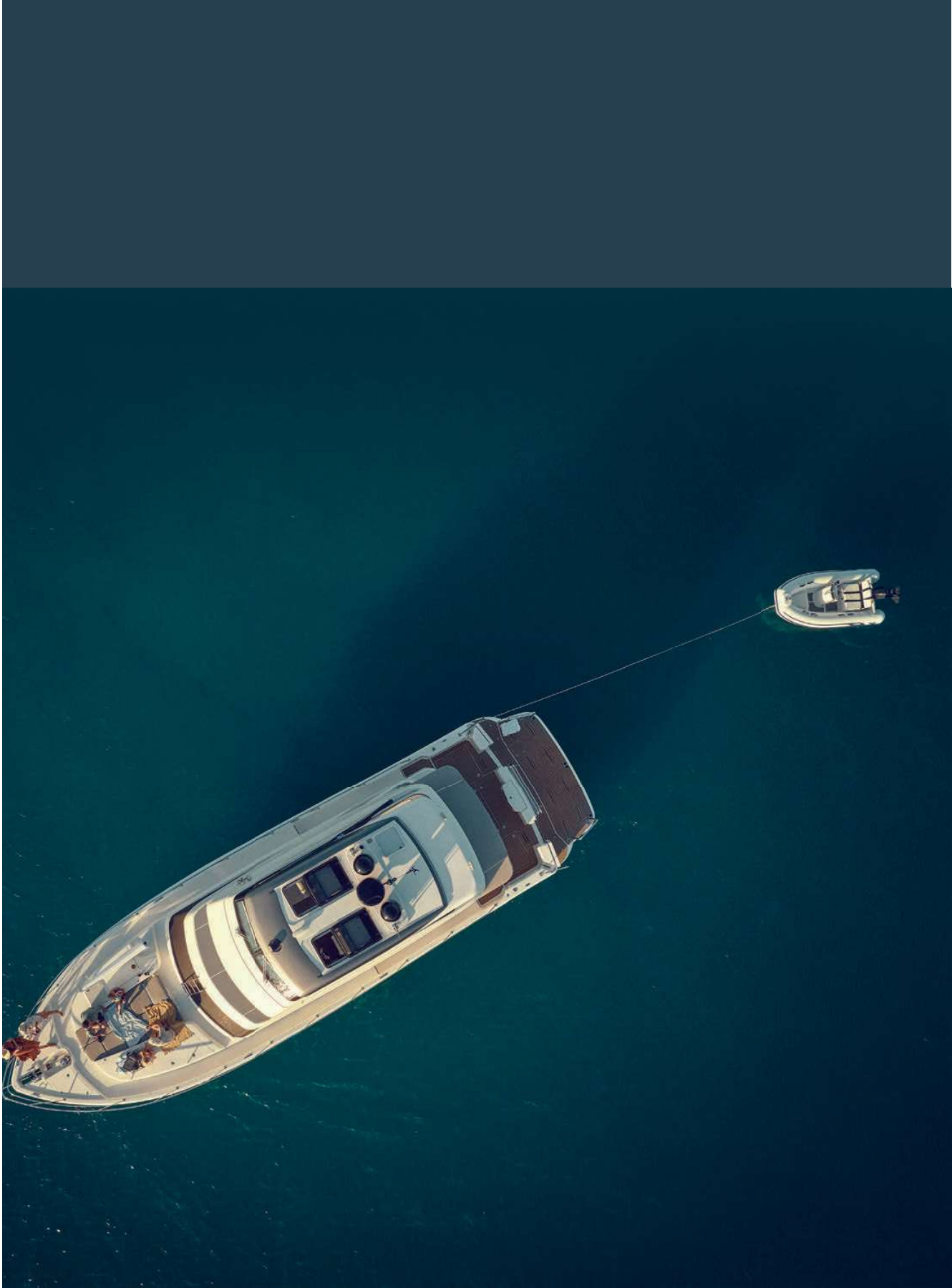
## Standard mount configuration

## Flush-mount configuration



Optional Universal Flush mount Frame- SS316	NRX50	NRX60	NRX80	NRX115	NRX130
SKU	9620012877	9620012881	9620012882	9620012878	9620012876
Cut-out Height(mm/in.)	536/21.1	536/21.1	636/25.0	756/29.8	823/32.4
Cut-out Width (mm/in.)	394/15.5	462/18.2	489/19.3	539/21.2	539/21.2







## Dometic Eskimo Ice Fishbox Ice System

Keep all your fish in pristine condition. Ice\* is generated minutes after starting the system through an ice-delivery hose to nearly any desired location onboard.

A highly efficient auger improves ice production and ice quality. Titanium durability extends the service life of the system for many years of worry-free operation. This is because titanium is unaffected by the punishing combination of saltwater, invasive marine life, and the harsh acids used for routine cleaning of the condenser coil.

- Titanium durability extends the service life of the system
- Compact size for easier installation
- Side panels and frame can be removed to install the unit through smaller openings
- Components remain assembled even without the frame
- Highly efficient auger improves ice production and quality
- Supports two remote-mounted Smart Logic digital control/display panels
- CAN Bus compatible
- Can connect to Dometic's STIIC networking software for remote-control operation

\*Ice is non-potable. Not for ingestion.



## Dometic Eskimo Cup Refrigerated Cup Holder

Make your last sip colder than your first with the Dometic Eskimo Cup refrigerated cup holder. Eskimo Cup installs in any convenient location to keep drinks refrigerator-cold. Keep a beverage can or bottle chilled on even the hottest days.

- Keeps drinks refrigerator-cold
- Maintains or reduces the temperature of cold drinks
- Replaces most standard cup holders
- Holds bottles or cans
- Polished marine-quality 316 stainless-steel trim ring
- Two blue LED interior lights
- Mounts into surfaces of various thicknesses

## Dometic Eskimo Ice EI540X

Fishbox Ice System

MODEL	EI540X			EI1000X	
<b>Voltage</b>	115 V	230 V	220 V	230 V	220 V
<b>Cycle/Phase</b>	60 Hz/1 Ph	60 Hz/1 Ph	50 Hz/1 Ph	60 Hz/1 Ph	50 Hz/1 Ph
<b>Full Load Amps (FLA) Cool</b>	10.7 A	5.4 A	5.3 A	9.7 A	9.3 A
<b>Locked Rotor Amps (LRA)</b>	58.8 A	26.3 A	31 A	58.8 A	49.7 A
<b>Max. Circuit Breaker</b>	30 A	15 A	15 A	30 A	30 A
<b>Min. Circuit Ampacity</b>	18 A	10 A	10 A	18 A	18 A
<b>Refrigerant Type</b>	404A			404A	
<b>Water Consumption Per 24 Hours<sup>1</sup></b>	64.7 gal / 244.1 litres			120 gal / 454.3 litres	
<b>Height<sup>2</sup></b>	16.25 in / 413 mm			20.13 in / 512 mm	
<b>Width<sup>2</sup></b>	16.25 in / 413 mm			19.25 in / 489 mm	
<b>Depth<sup>2</sup></b>	16.25 in / 413 mm			21.5 in / 547 mm	
<b>Freshwater Inlet</b>	0.375 in / 9.5 mm			0.375 in / 9.5 mm	
<b>Seawater Inlet Connection</b>	0.5 in / 12.7 mm			0.5 in / 12.7 mm	
<b>Net Weight<sup>3</sup></b>	107 in / 48.6 mm			201 in / 91.2 mm	
<b>Gross Weight<sup>3</sup></b>	128 in / 58.1 mm			220 in / 99.8 mm	
<b>Ice Capacity Per Day<sup>1</sup></b>	540 lbs / 245 kg			1,000 lbs / 454 kg	
<b>Ice Capacity Per Hour<sup>1</sup></b>	22.5 lbs / 10.2 kg			42 lbs / 19.1 kg	
<b>Product</b>				<b>Ref. No.</b>	
Dometic Eskimo Ice EI540X, 115 V Digital Control				9108919705	
Dometic Eskimo Ice EI540X, 230 V Digital Control				9108917152	

1. Actual capacity depends upon conditions.
2. All dimensions  $\pm$  0.30 in/8 mm.
3. All weights  $\pm$  10%.

## Dometic Eskimo Cup

Refrigerated Cup Holder



<b>Voltage</b>	12V DC
<b>Current</b>	3.1 A
<b>Exterior Dimensions (WxHxD)</b>	137 x 159 x 174 mm
<b>Interior Dimensions</b>	diameter: 75 mm, cutout diameter: 102 mm
<b>Net Weight</b>	0.96 kg
<b>Power Cord Length</b>	407 mm
<b>Product</b>	<b>Ref. No.</b>
Dometic Eskimo Cup	250140101

# CU SERIES COOLING UNITS FOR ENTRY-LEVEL AND PROFESSIONAL USE

When standard units don't fit, tailor-made, all-in-one kits can be an alternative and this is made easy by the CU Series of cooling units combined with the VD Series. They come ready for connection to 12/24 V DC and are powerful, economical, and superbly quiet in operation. The two evaporator types are specifically designed to match the performance of the compressor fitted.



## Dometic Coldmachine Series 80

Professional units for individual cooling comfort, with 7 evaporator options.

- Designed for small and medium refrigerator capacities (up to approx. 250 litres) and for use in warmer waters
- Equipped with a power-regulated compressor
- Three air-cooled units of different body shapes
- Seven evaporator types designed to precisely match the compressor performance
- Corrosion-resistant stainless steel mounting plate

CU 84 Ref. No: 9105306597   CU 85 Ref. No: 9105306598   CU 86 Ref. No: 9105306599



## Dometic Coldmachine Series 90

Professional units for highest demands, with 3 evaporator options.

- Designed for extra-large refrigerator capacities (up to approx. 400 litres), for deep-freeze cooling (up to approx. 200 litres) and for use in tropical waters
- Equipped with a power-regulated high-performance compressor (25 % more cooling power)
- Three air-cooled units of different body shapes
- Three evaporator types designed to precisely match the compressor performance
- Corrosion-resistant stainless steel mounting plate
- With AEO electronics (Adaptive Energy Optimiser)

CU 94 Ref. No: 9105306600   CU 95 Ref. No: 9105306601   CU 96 Ref. No: 9105306602

# VD SERIES EVAPORATORS AND COLD ACCUMULATORS

The VD Series consists of evaporators and cold accumulators for marine projects. They are the key components in the cooling potential of your CU Series cooling units and are designed for horizontal or vertical installation. There are a variety of units available depending on the capacity and specification of your CU Series cooling unit.

## Series 80 Options



### Coldmachine VD-05

Plate evaporator, 100L

Ref. No: 9105306605



### Coldmachine VD-08

Angle evaporator, 180L

Ref. No: 9105306607



### Coldmachine VD-15

Circulating air evaporator, 250L

Ref. No: 9105306612



### Coldmachine VD-18

Plate evaporator, 150L

Ref. No: 9105306614

## Series 90 Options



### Coldmachine VD-14N

Circulating air evaporator, 400L

Ref. No: 9105306609



### Coldmachine VD-16

Circulating air deep-freeze evaporator, 130L

Ref. No: 9105306613



### Coldmachine VD-21

Plate evaporator, 150L

Ref. No: 9105306615

**FOOD & BEVERAGE**

**REFRIGERATORS / COOLING UNITS**

FOOD & BEVERAGE

HYGIENE & SANITATION

POWER & CONTROL

CLIMATE

SAFETY & SECURITY

TECHNICAL SPECIFICATIONS

TECHNICAL SPECIFICATIONS CU SERIES			
Model	CU 84	CU 85	CU 86
SKU	9105306597	9105306598	9105306599
Voltage (DC)	12 / 24 V	12 / 24 V	12 / 24 V
Refrigerant	R134a	R134a	R134a
Refrigerant Quantity (G)	45	45	45
CO <sup>2</sup> Equivalent (T)	0.064	0.064	0.064
Global Warming Potential (GWP)	1430	1430	1430
Dimensions (W x H x D, mm)	386 x 160 x 130	220 x 160 x 220	220 x 230 x 177
Weight (kg)	6	6	6.5
Quality Features	Suitable for floor mounting, corrosion-resistant stainless steel mounting plate		

TECHNICAL SPECIFICATIONS CU SERIES			
Model	CU 94	CU 95	CU 96
SKU	9105306600	9105306601	9105306602
Voltage (DC)	12 / 24 V	12 / 24 V	12 / 24 V
Refrigerant	R134a	R134a	R134a
Refrigerant Quantity (G)	60	60	60
CO <sup>2</sup> Equivalent (T)	0.086	0.086	0.086
Global Warming Potential (GWP)	1430	1430	1430
Dimensions (W x H x D, mm)	386 x 155 x 130	220 x 155 x 220	220 x 230 x 177
Weight (kg)	6	6	6.5
Quality Features	Suitable for floor mounting, corrosion-resistant stainless steel mounting plate, AEO electronics		



## INTEGRATED SYSTEMS

# SINKS & DRAINERS

Easy to clean stainless steel sinks, robust and space efficient.



### Dometic VA8006

Square Basin with lid

- Integrated heat resistant safety glass lid offers extra workspace
- Supplied with 39mm Tap & Drain hole
- 420mm x 440mm x 146.5mm
- Siphon Included
- Optional Tap: DM-WT02
- Stainless Steel

Ref. No: 9600029460



### Dometic VA7306

Round Basin with lid

- Integrated heat resistant safety glass lid offers extra workspace
- Supplied with 39mm Tap & Drain hole
- 420mm x 420mm x 148mm
- Siphon included
- Optional Tap: DM-WT01
- Stainless Steel

Ref. No: 9600029463



VA 910

VA 930

### Dometic VA910 & VA930

Square & Rectangle Sinks

- Includes Rubber seal
- Stainless Steel
- No Siphon
- VA910 370mm x 370mm x 120mm
- VA930 380mm x 280mm x 145mm

VA910 SKU: 9600032023

VA930 SKU: 9102305096



### Dometic Tap

- Chrome Plated Brass
- Includes two flexi hoses for installation
- Swivel spout for storage

DM-WT01 SKU: 9600006140

DM-WT02 SKU: 9600025252



